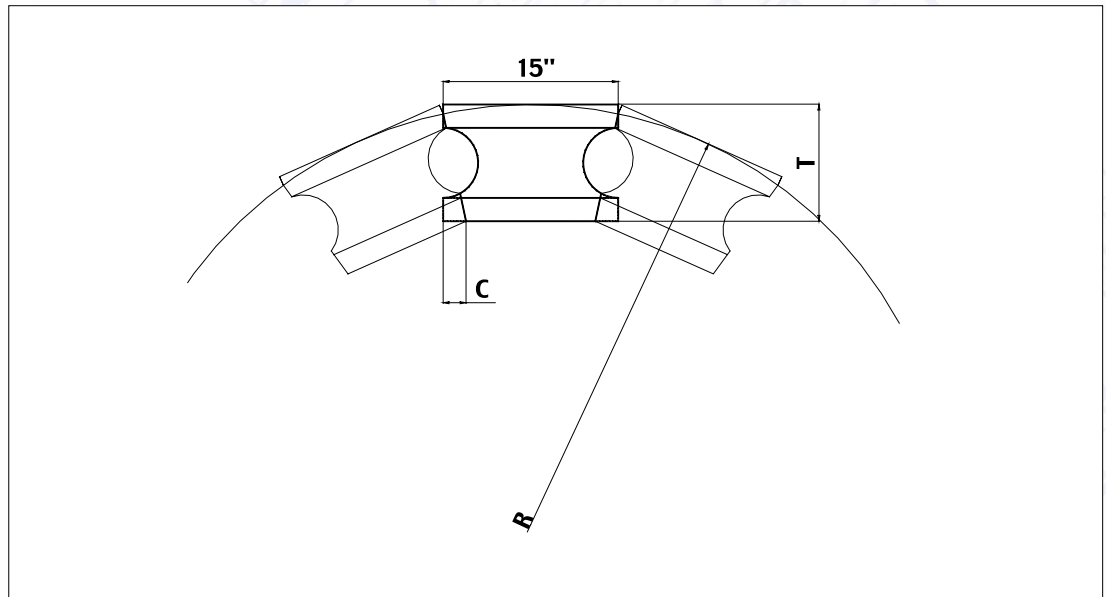


# Appendix A

## Radius Wall Calculations



RADIUS FORMULA FOR CURVED WALLS				
RADIUS "R"	CUTOFF "C" FOR WALL THICKNESS "T" (inch)			
	8.5"	10"	12"	14"
3 ft	1.8	2.1	2.5	2.9
4 ft	1.3	1.6	1.9	2.2
5 ft	1.1	1.3	1.5	1.8
6 ft	0.9	1.0	1.3	1.5
7 ft	0.8	0.9	1.1	1.3
8 ft	0.7	0.8	0.9	1.1
9 ft	0.6	0.7	0.8	1.0
10 ft	0.5	0.6	0.8	0.9

For other radii calculate  $C=0.625 \times T(\text{inch})/R(\text{ft})$

## Appendix B

### Suggested Tools and Equipment

PERFORM WALL™ panels can be installed with conventional tools used on common building materials. A typical suggested tool kit may be as shown below:

- Forklift or boom crane
- Forklift tong adapter (optional)
- Genie lift
- Lifting spreader bars and/or piping with straps or chains
- Connector staples
- Large toothed hand or electric chain saw
- Saw guide
- Hand rasp
- Foam gun
- Foam cleaner
- “Goliath” panel lifter (a long bar will work just as well)
- Builder’s square
- Reciprocating or hacksaw
- Builder’s level – 6’ or 8’ for plumbing of wall
- Mason’s string line
- Tape measure
- Router
- Standard string line
- Dry wall keyhole saw – for making small openings

## Appendix C

### PERFORM WALL™ Volumes and Weight Data

Volumes and Weight Data	
PERFORM WALL™ Panel	Concrete Consumption
8.5" wide	0.21 cubic feet per square foot of wall surface (65 dm <sup>3</sup> /m <sup>2</sup> )
10," 12," 14" wide	0.30 cubic feet per square foot of wall surface (93 dm <sup>3</sup> /m <sup>2</sup> )
Approximate Weight of Grouted Unfinished Wall	
8.5"	42 lbs/sq ft (201 kg/m <sup>2</sup> )
10"	57 lbs/sq ft (274 kg/m <sup>2</sup> )
12"	60 lbs/sq ft (288 kg/m <sup>2</sup> )
14"	64 lbs/sq ft (307 kg/m <sup>2</sup> )
Reinforcement Consumption	
15" Centers	1.17 lineal feet per square foot of wall surface
30" Centers	0.85 lineal feet per square foot of wall surface

# Appendix D

## Material Safety Data Sheet

Material Safety Data Sheet  
 May be used to comply with  
 OSHA's Hazard Communication Standard,  
 29 CFR 1910.1200. Standard must be  
 consulted for specific requirements.

U.S. Department of Labor  
 Occupational Safety and Health Administration  
 (Non-Mandatory Form)  
 Form Approved  
 OMB No. 1218-0072



IDENTITY (As Used on Label and List) Note: Blank spaces are not permitted. If any item is not applicable, or no information is available, the space must be marked to indicate that.

**Section I**

Manufacturer's Name Perform Wall, L.L.C.	Emergency Telephone Number 1-800-761-8590
Address (Number, Street, City, State, and ZIP Code) 5776 North Mesa El Paso, Texas 79912	Telephone Number for Information 1-915-587-8885
	Date Prepared June 1, 2001
	Signature of Preparer (optional) <i>[Signature]</i>

**Section II -- Hazardous Ingredients/Identity Information**

Hazardous Components (Specific Chemical Identity; Common Name(s))	OSHA PEL	ACGIH TLV	Other Limits Recommended	% (optional)
Hydrated portland cement, recycled polystyrene				
No hazardous ingredients				
No volatiles				
Inert Material				

**Section III -- Physical/Chemical Characteristics**

Boiling Point	n/a	Specific Gravity (H <sub>2</sub> O = 1)	0.350
Vapor Pressure (mm Hg.)	n/a	Melting Point	n/a
Vapor Density (AIR = 1)	n/a	Evaporation Rate (Butyl Acetate = 1)	n/a
Solubility in Water	not soluble		
Appearance and Odor	grey, cementitious, odorless		

**Section IV -- Fire and Explosion Hazard Data**

Flash Point (Method Used)	n/a	Flammable Limits	LEL n/a	UEL n/a
Extinguishing Media	n/a			
Special Fire Fighting Procedures	n/a			
	n/a			
Unusual Fire and Explosion Hazards				



# Appendix D

## Material Safety Data Sheet, continued

<b>Section V -- Reactivity Data</b>			
Stability	Unstable		Conditions to Avoid
	Stable	X	
Incompatibility (Materials to Avoid) <u>None</u>			
Hazardous Decomposition or Byproducts <u>None</u>			
Hazardous Polymerization	May Occur		Conditions to Avoid
	Will Not Occur	X	
<b>Section VI -- Health Hazard Data</b>			
Route(s) of Entry:	Inhalation?	X	Skin? Ingestion?
Health Hazards (Acute and Chronic) <u>Inhalation of dust created during scraping or sawing may cause irritation of eyes and upper respiratory system.</u>			
Carcinogenicity:	NTP?	IARC Monographs?	OSHA Regulated?
<u>None</u>	<u>None</u>	<u>None</u>	<u>None</u>
Signs and Symptoms of Exposure <u>Extended manipulation may dry skin</u>			
Medical Conditions Generally Aggravated by Exposure <u>None</u>			
Emergency and First Aid Procedures <u>None</u>			
<b>Section VII -- Precautions for Safe Handling and Use</b>			
Steps to Be Taken in Case Material Is Released or Spilled <u>N/A</u>			
Waste Disposal Method <u>None specified</u>			
Precautions to Be Taken in Handling and Storing <u>None</u>			
Other Precautions			
<b>Section VIII -- Control Measures</b>			
Respiratory Protection (Specify Type) <u>NIOSH approved breath mask when cutting or rasping</u>			
Ventilation	Local Exhaust	<u>n/a</u>	Special <u>n/a</u>
	Mechanical (General)	<u>n/a</u>	Other <u>n/a</u>
Protective Gloves	<u>Working gloves recommended</u>		Eye Protection <u>goggles</u>
Other Protective Clothing or Equipment <u>None</u>			
Work/Hygienic Practices <u>None</u>			