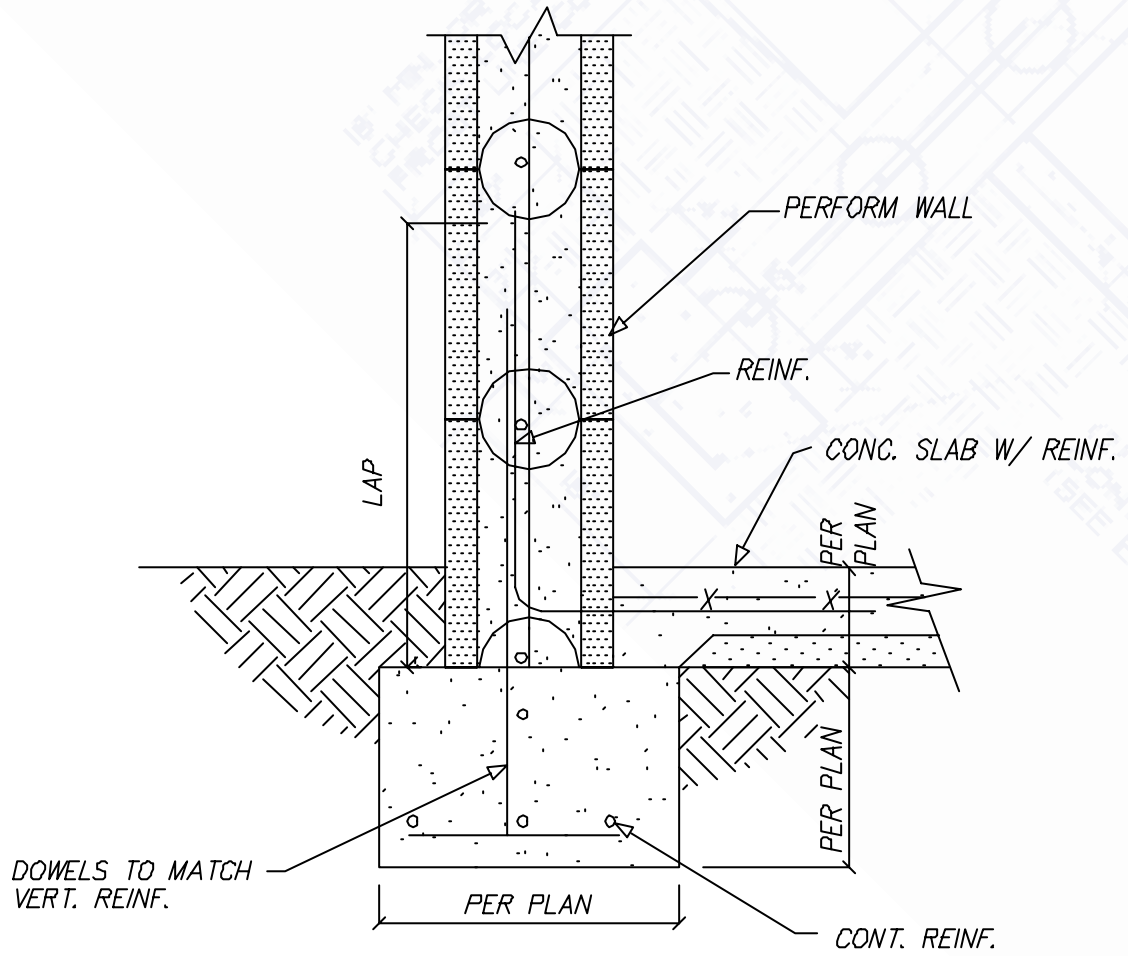
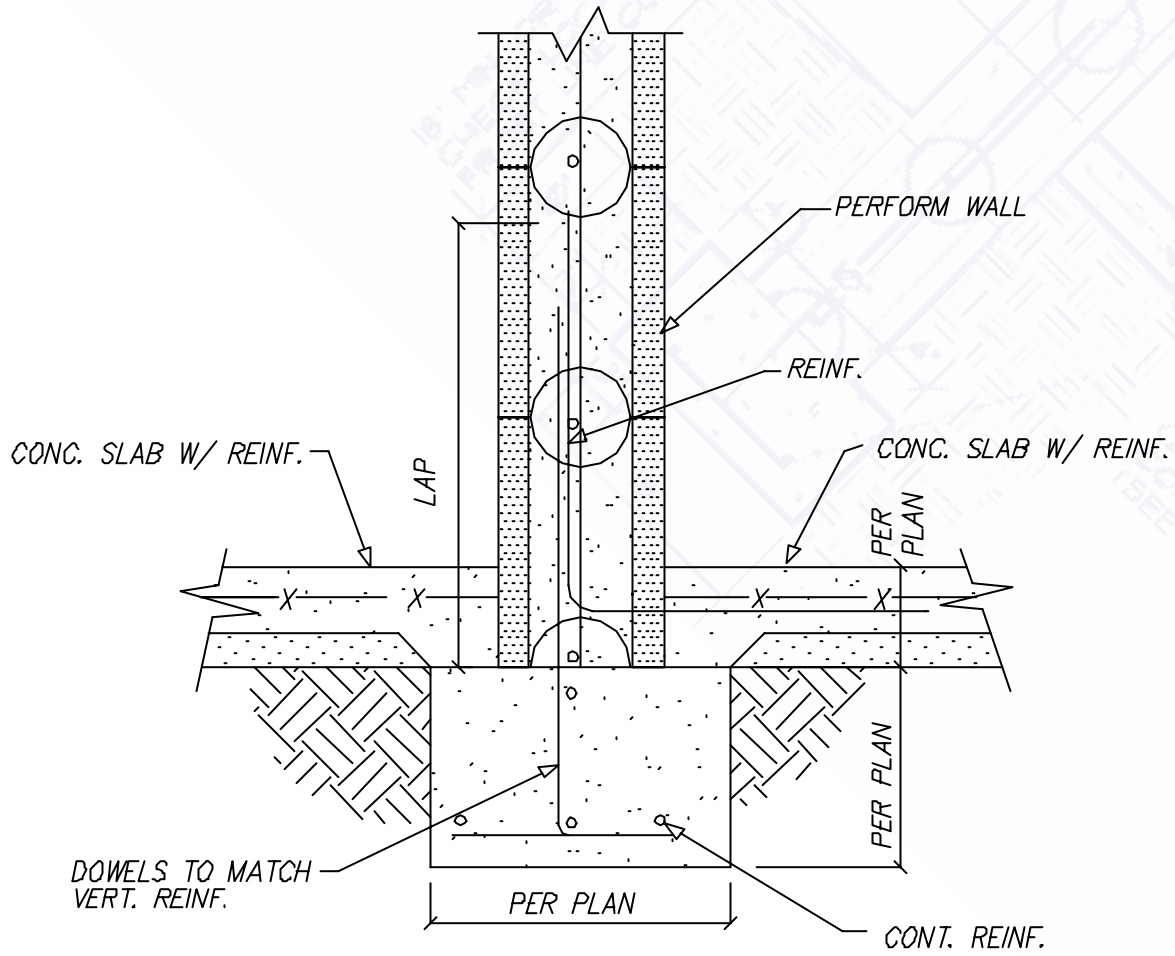


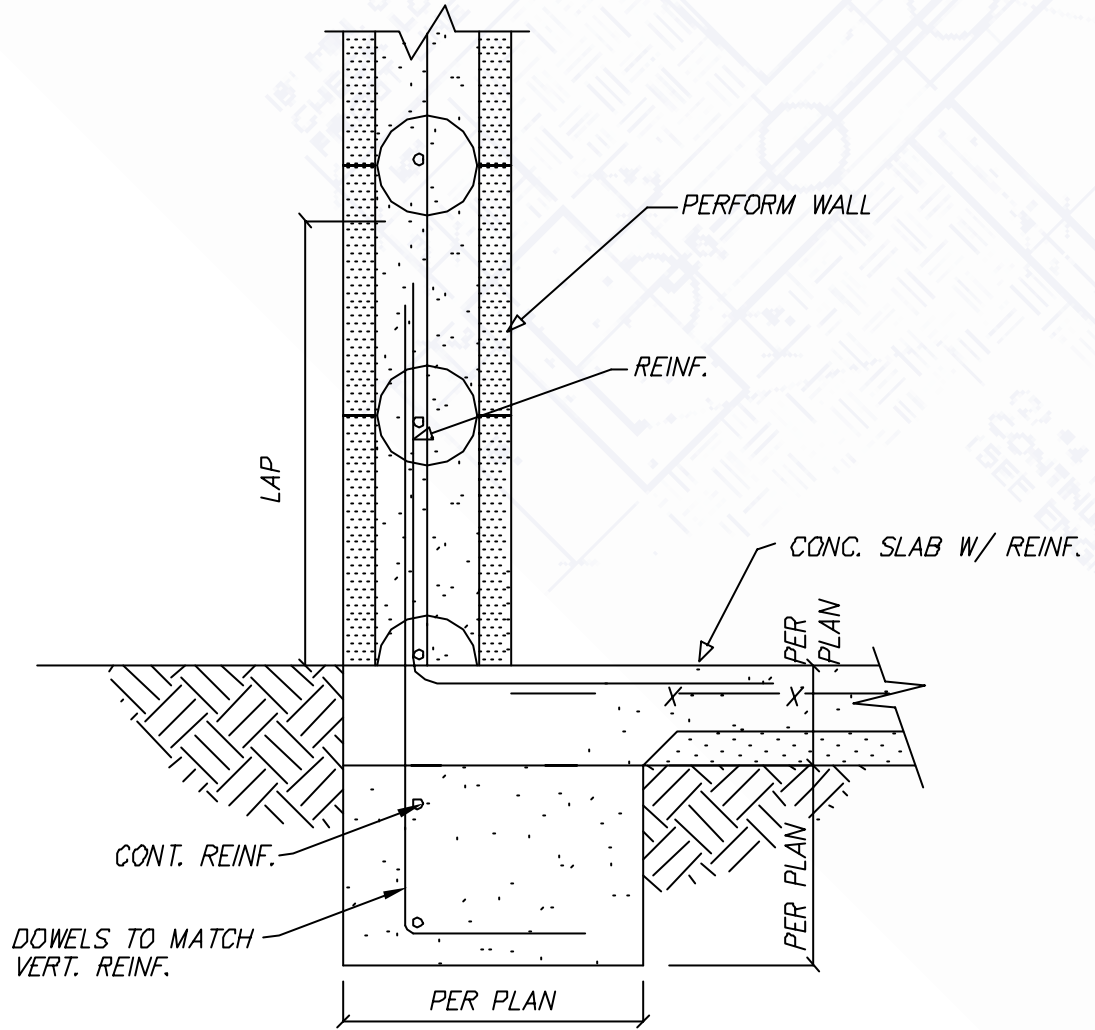
Exterior Footing



Interior Footing



Edge Footing



Interior Footing with Wall, Resting on Slab

