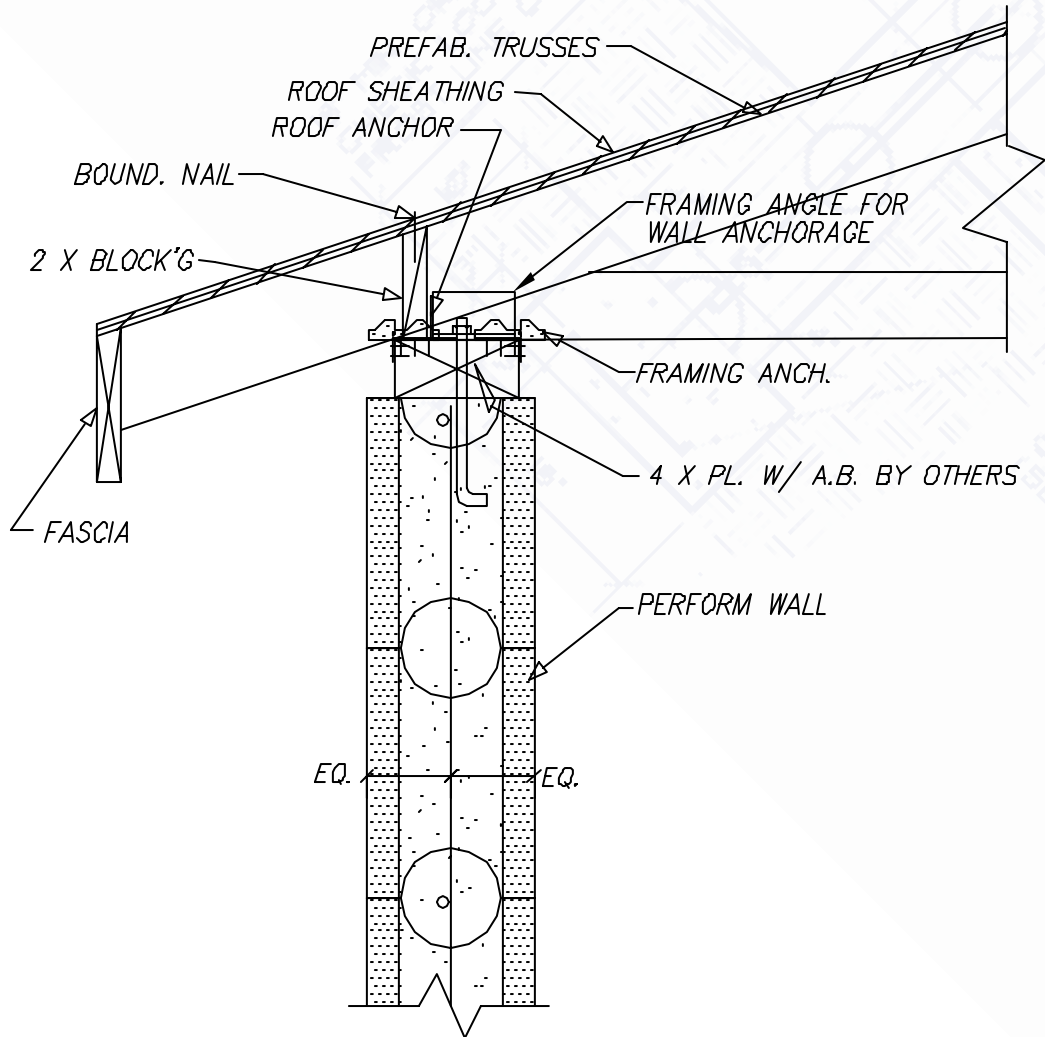
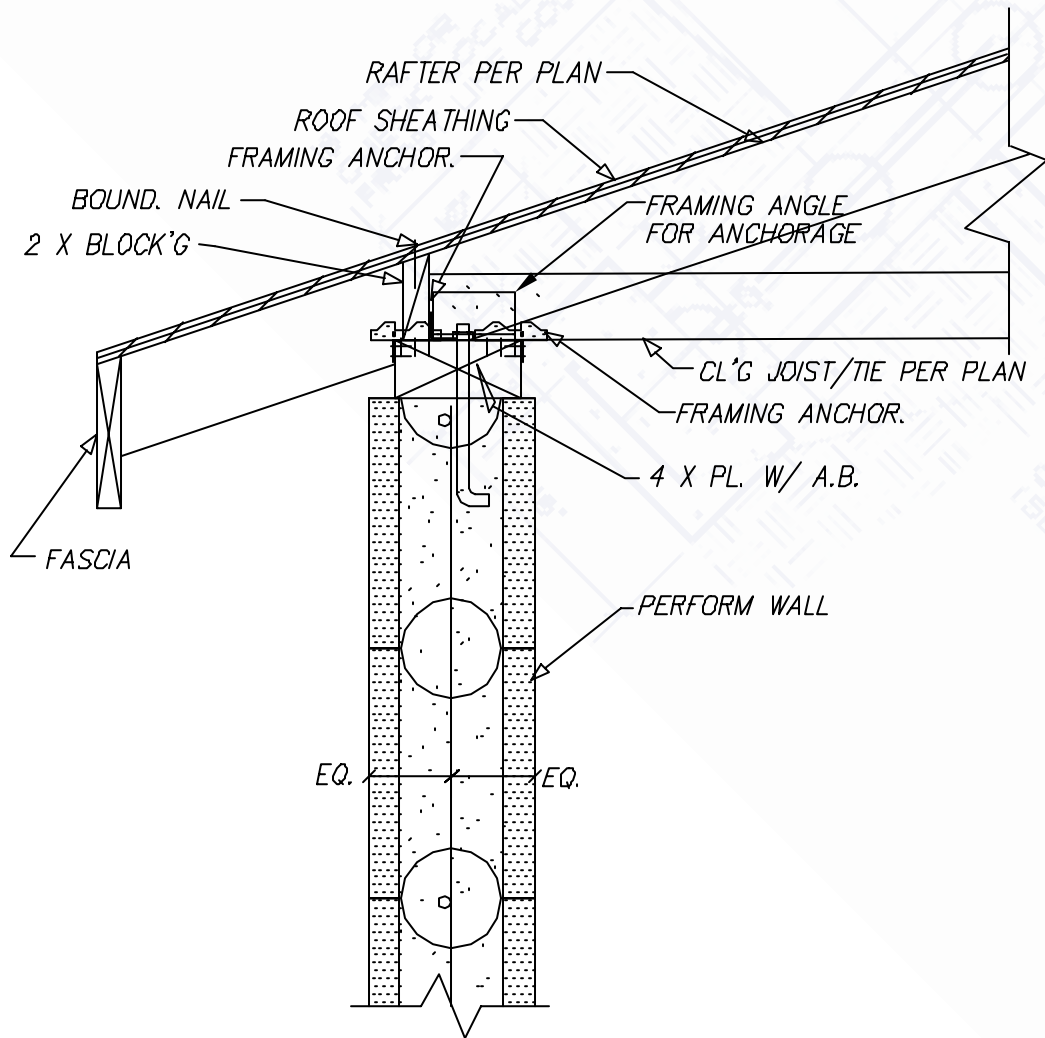


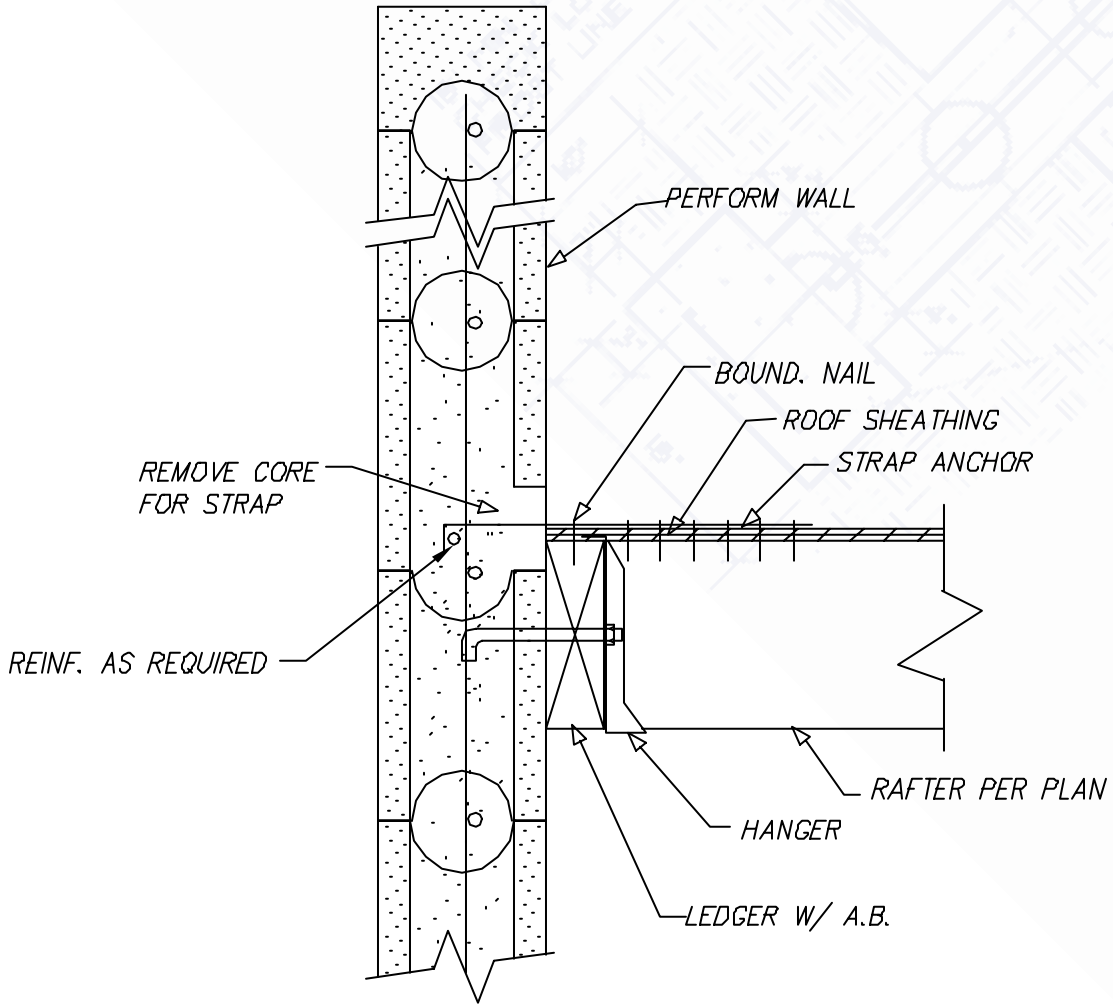
Roof Truss/Wall Connection



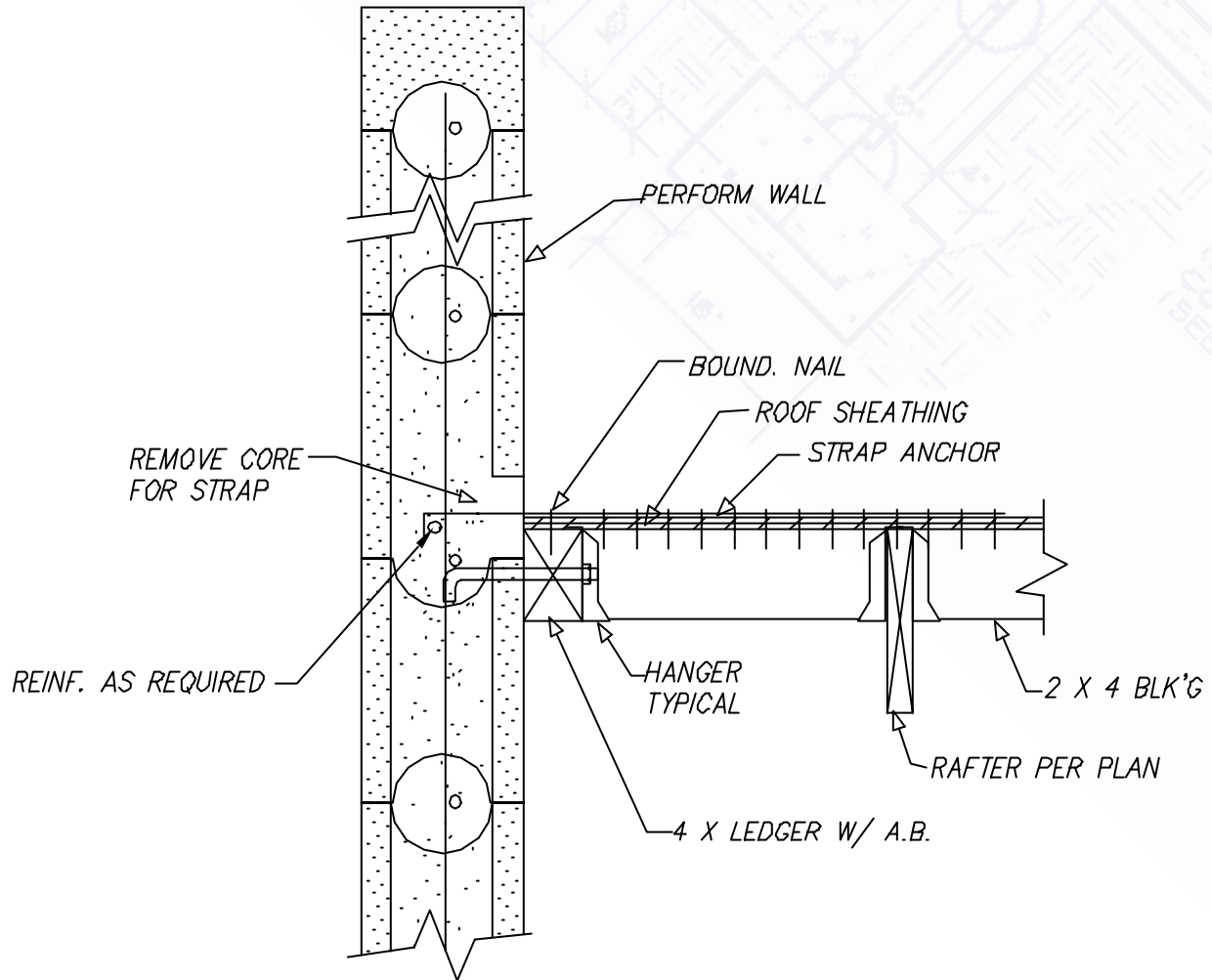
Roof Rafter/Wall Connection



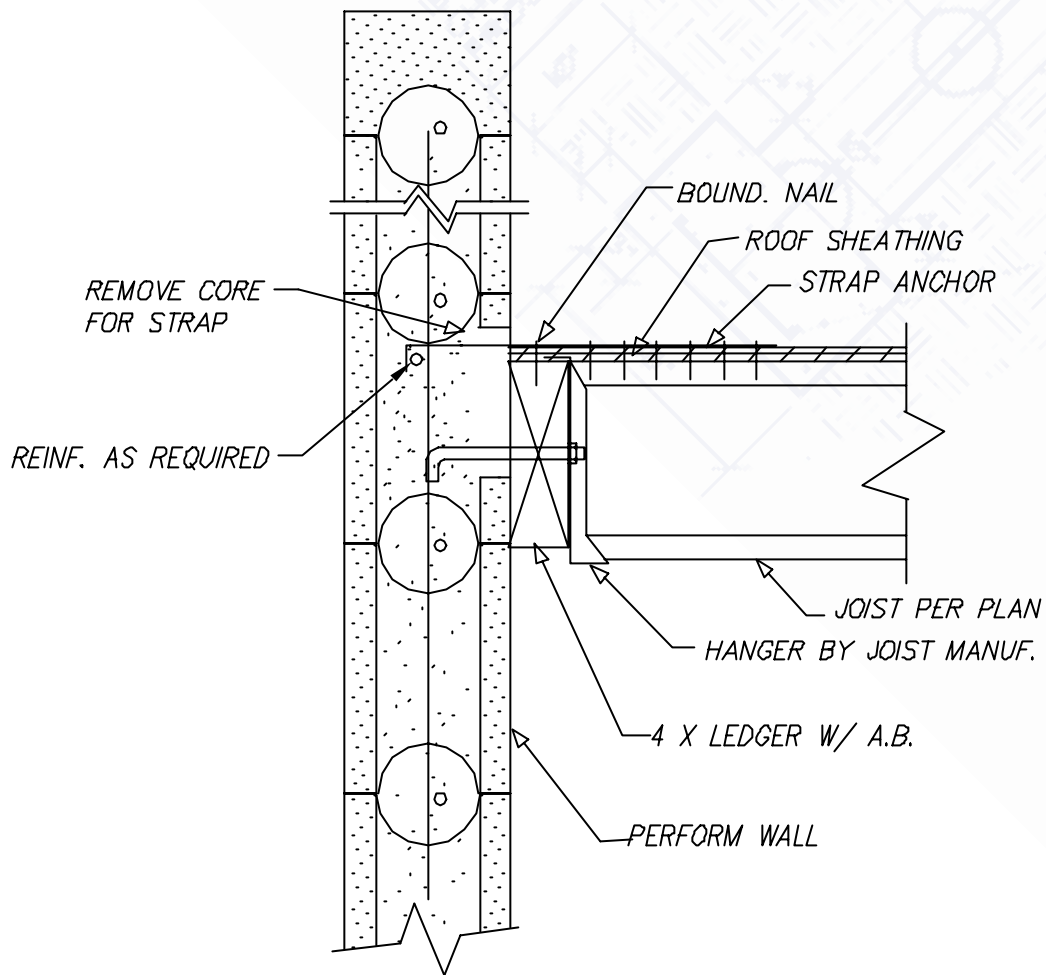
Wall with Parapet/Roof Connection



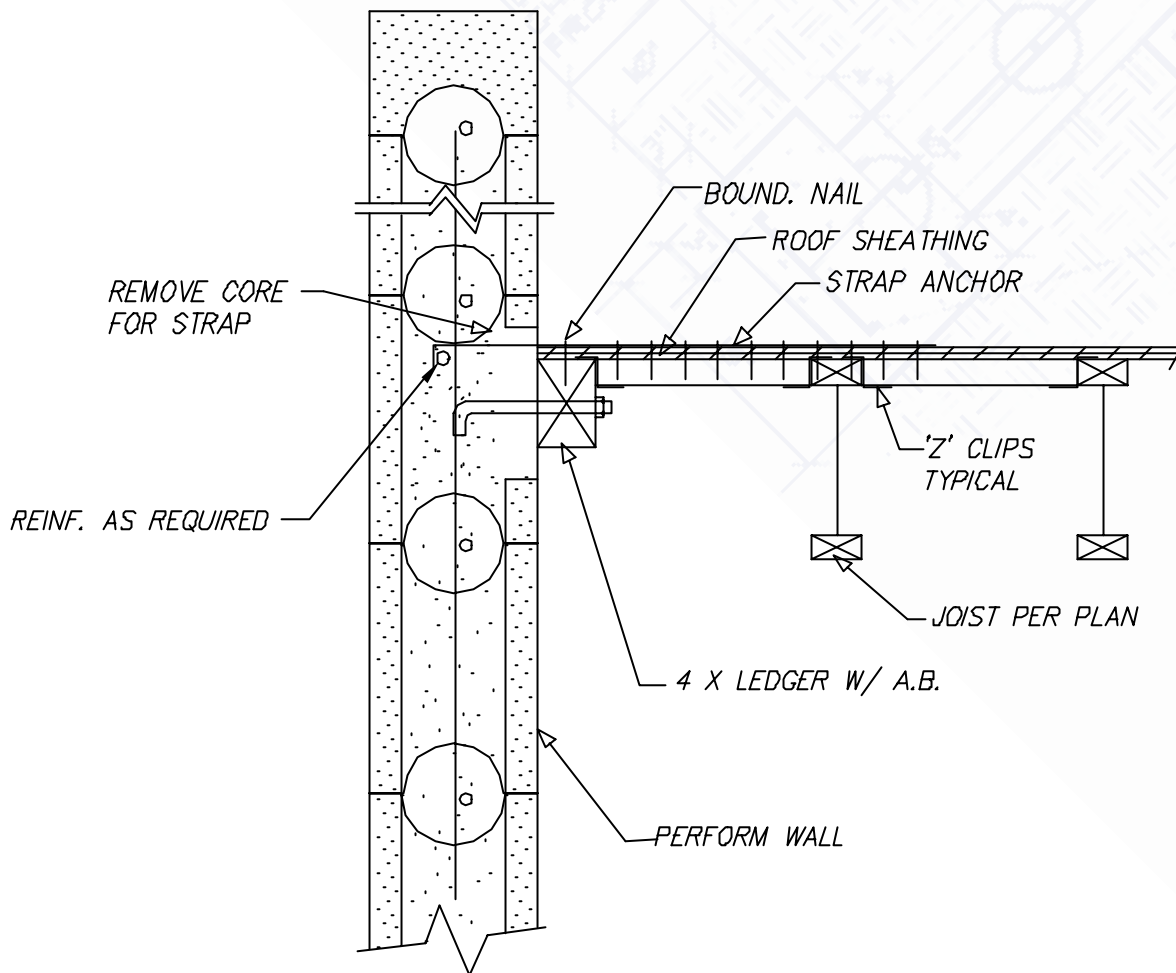
Wall with Parapet to Roof Connection, Wall Parallel to Joist



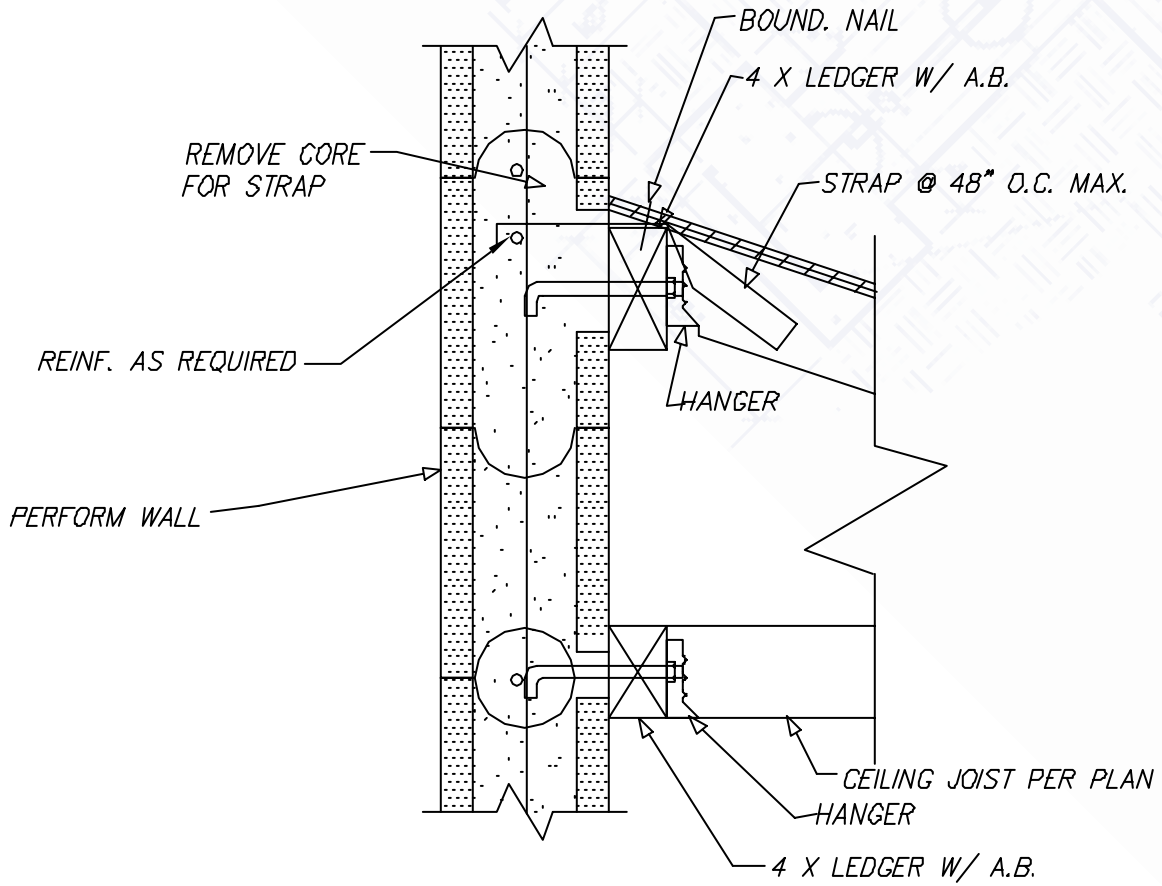
Wall with Parapet/Roof Joist Connection, Joist Parallel to Wall



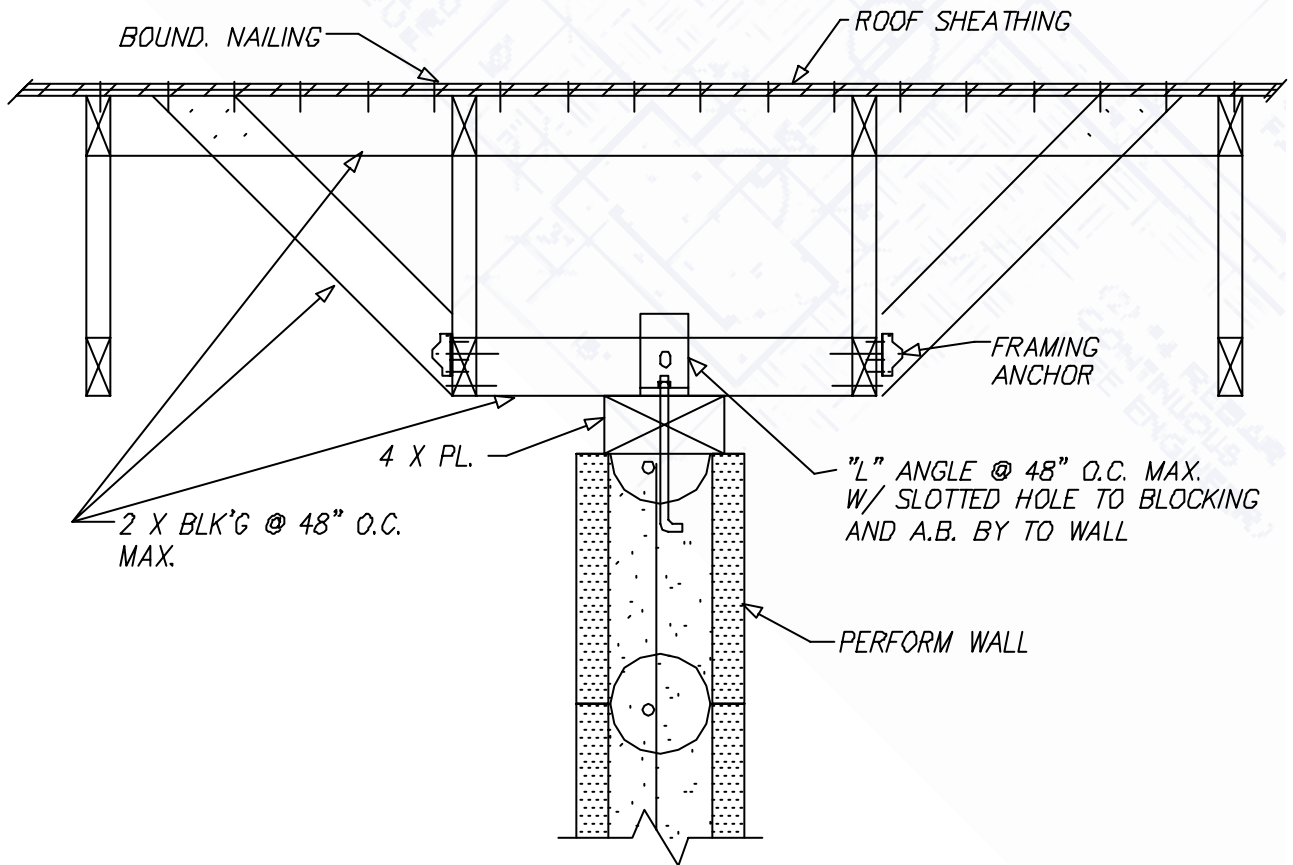
Wall with Parapet/Roof Joist Connection, Pre-fab Joist Parallel to Wall



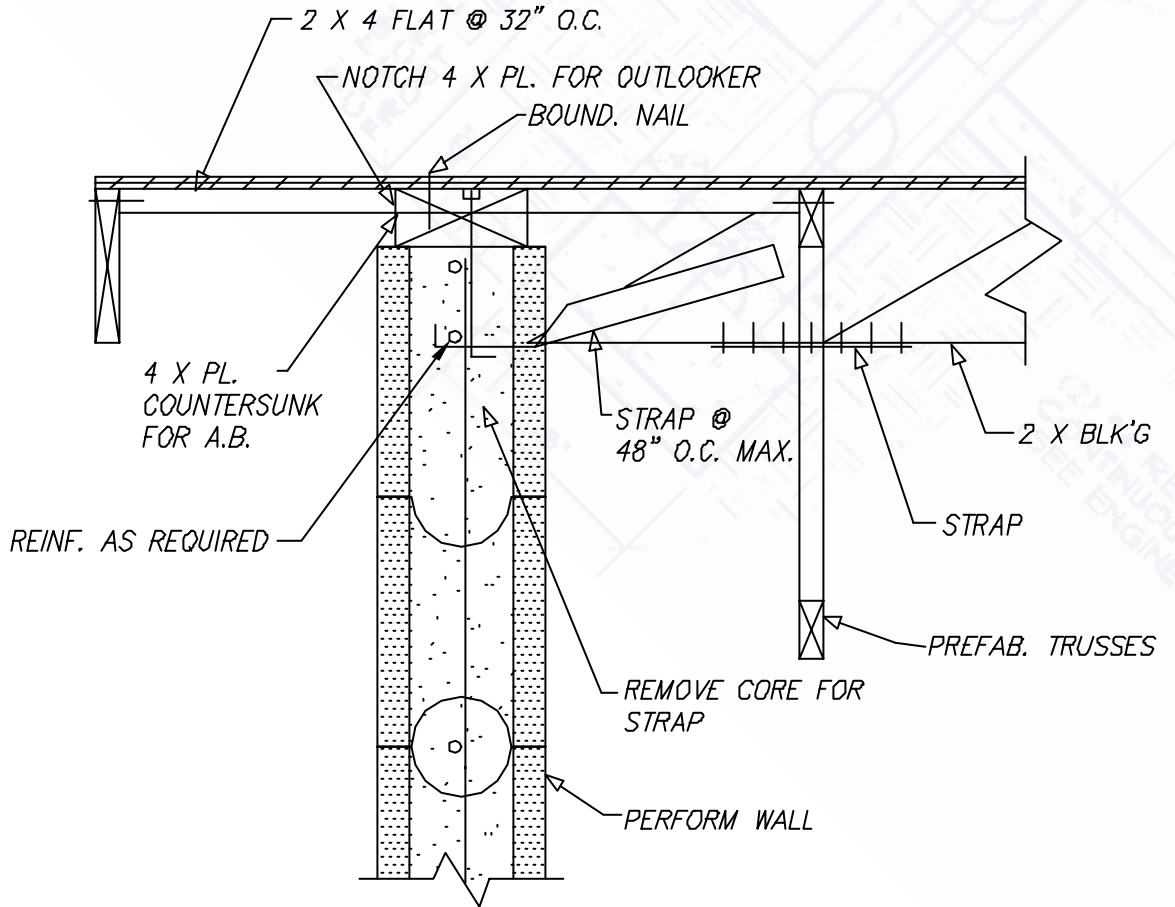
Roof to Wall Connection



Interior Non-bearing Wall to Roof Connection



Gable End Wall to Roof Connection



Interior Non-bearing Wall to Roof Connection

