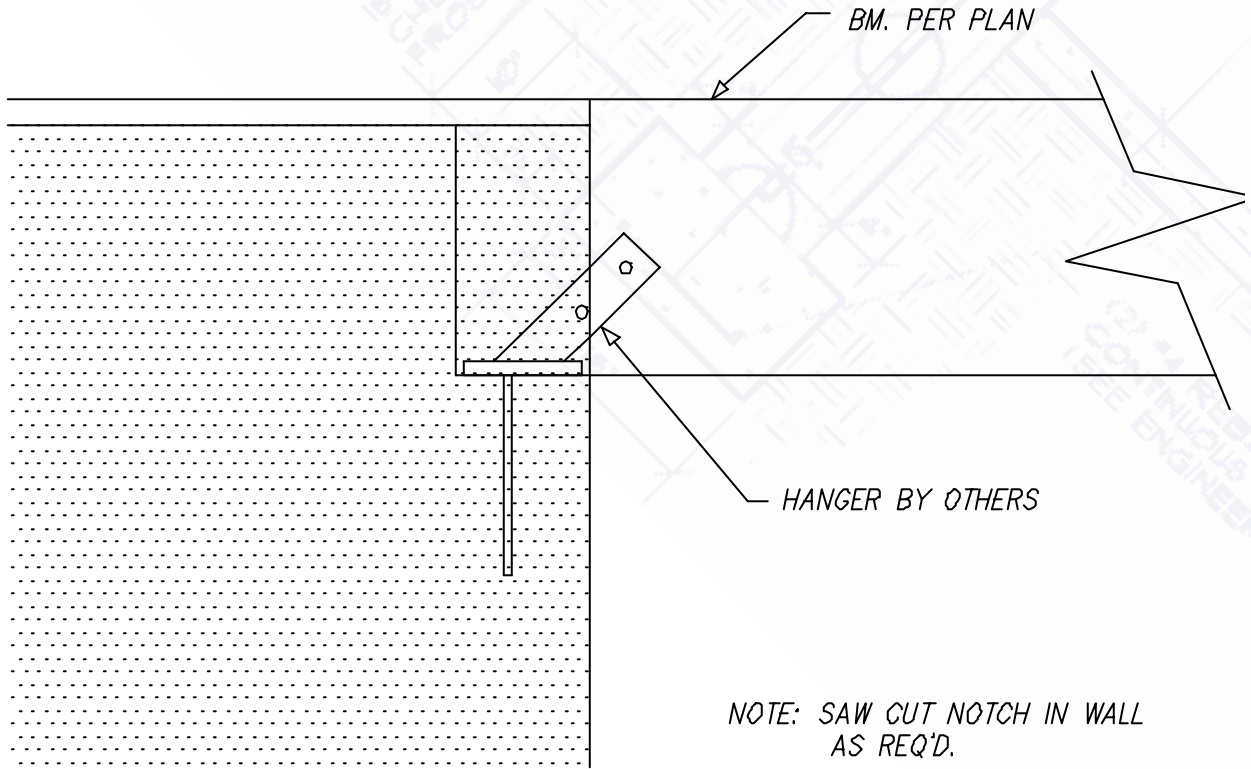
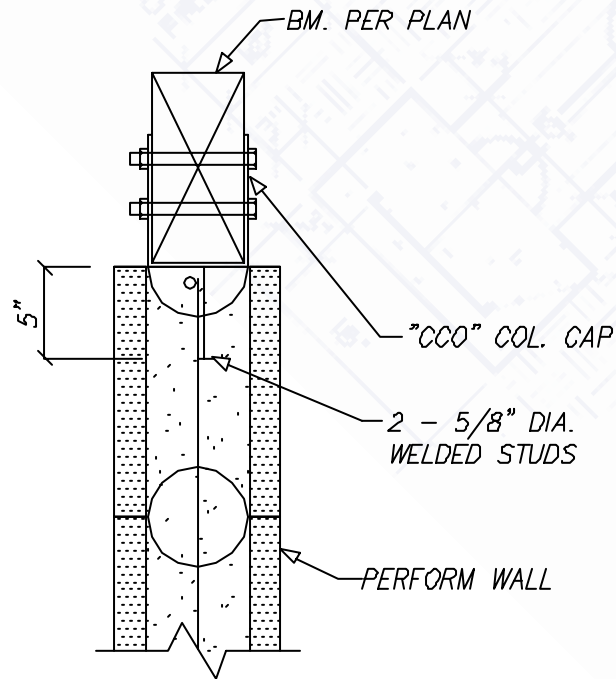


Beam/Wall Connection



Wood Beam to Wall Connection



Wood Beam to Wall Connection

