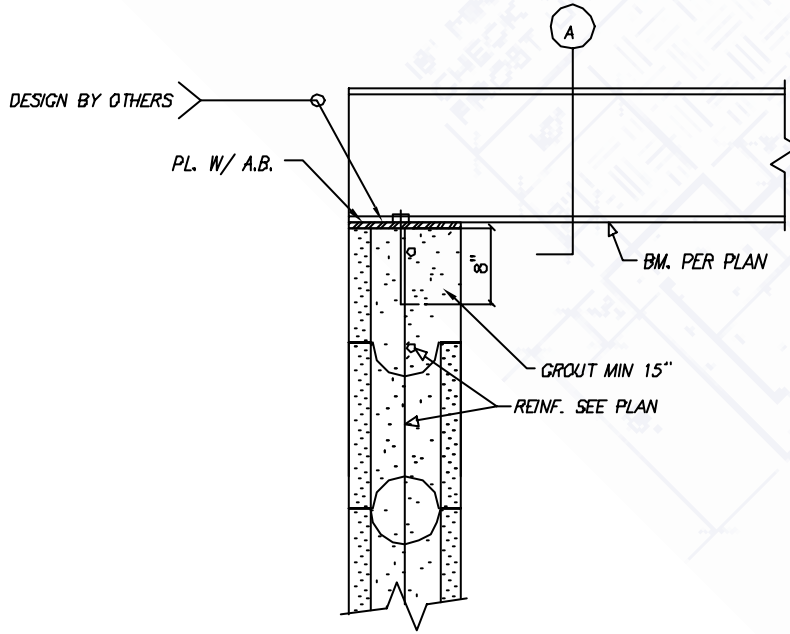
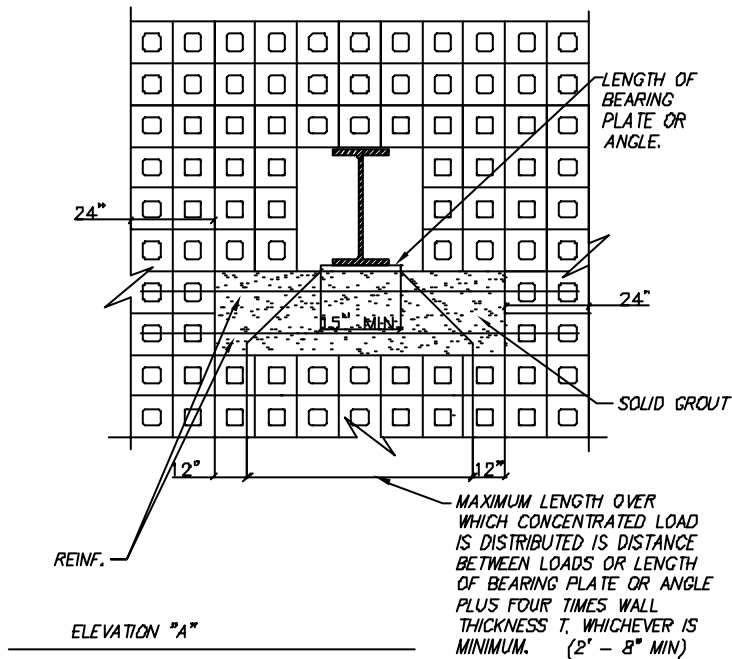


# Steel Beam to Wall Connection

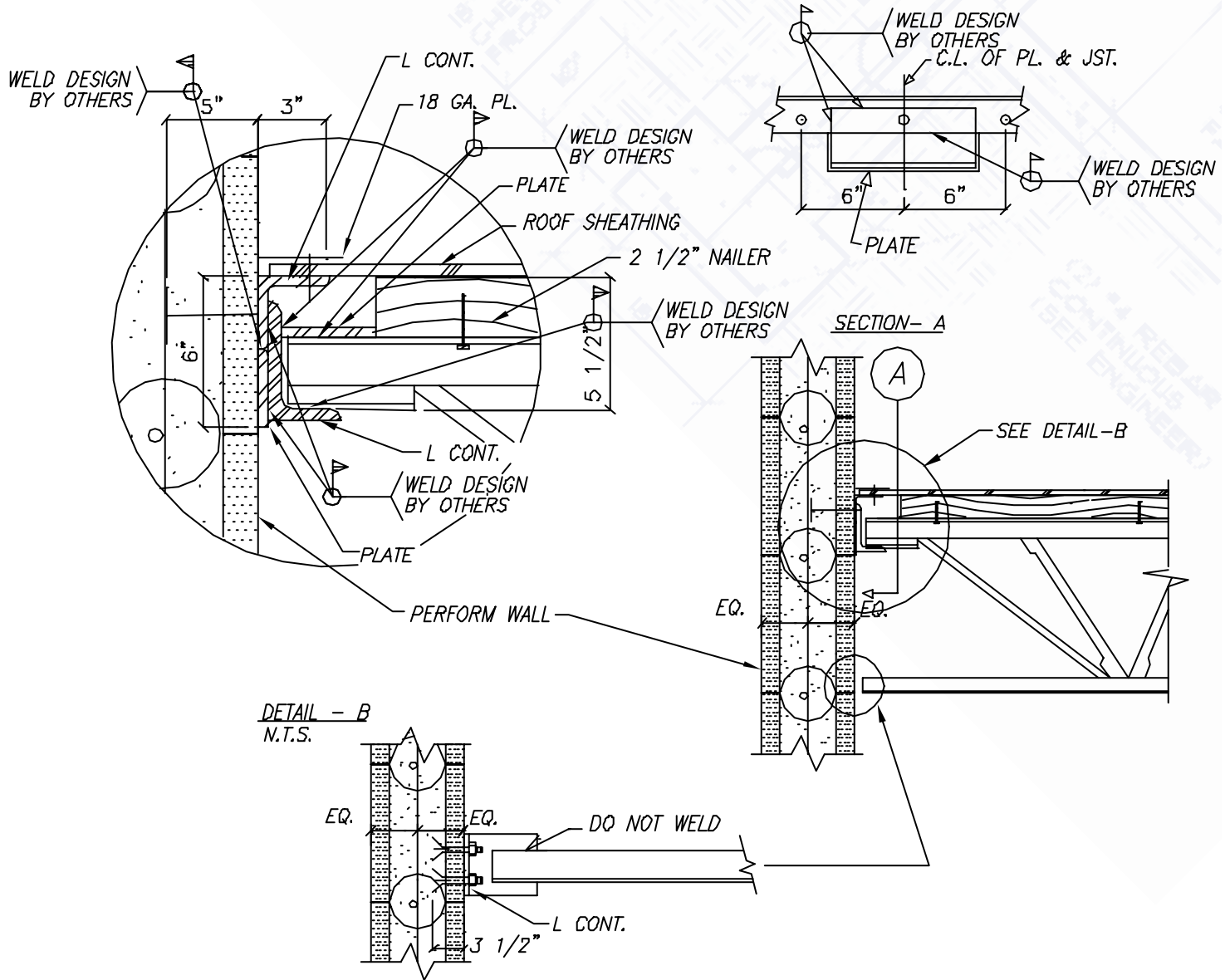


SECTION

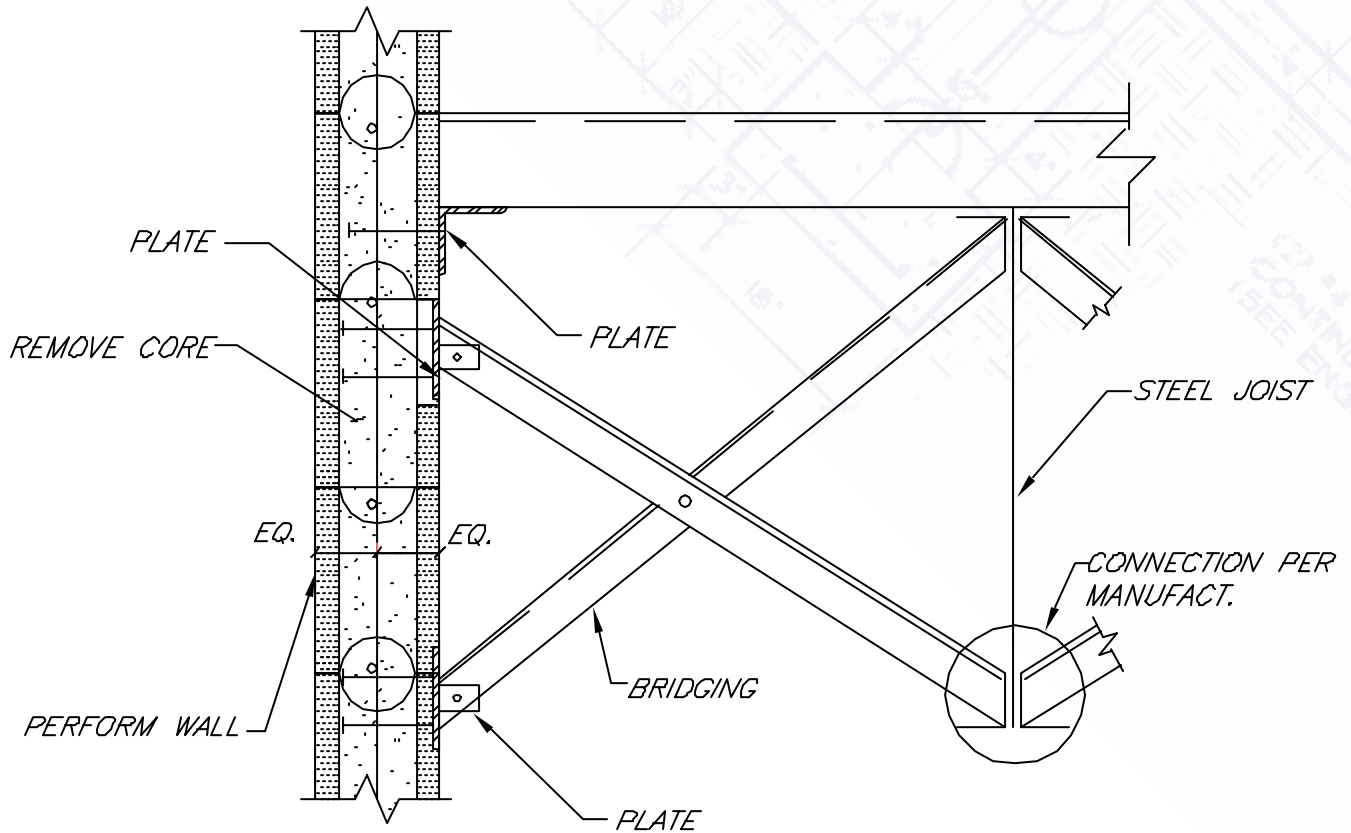
$F'_c$  OF CONCRETE: 2,500 PSI  
 $F'_c$  OF REINFORCING STEEL: 80,000 PSI



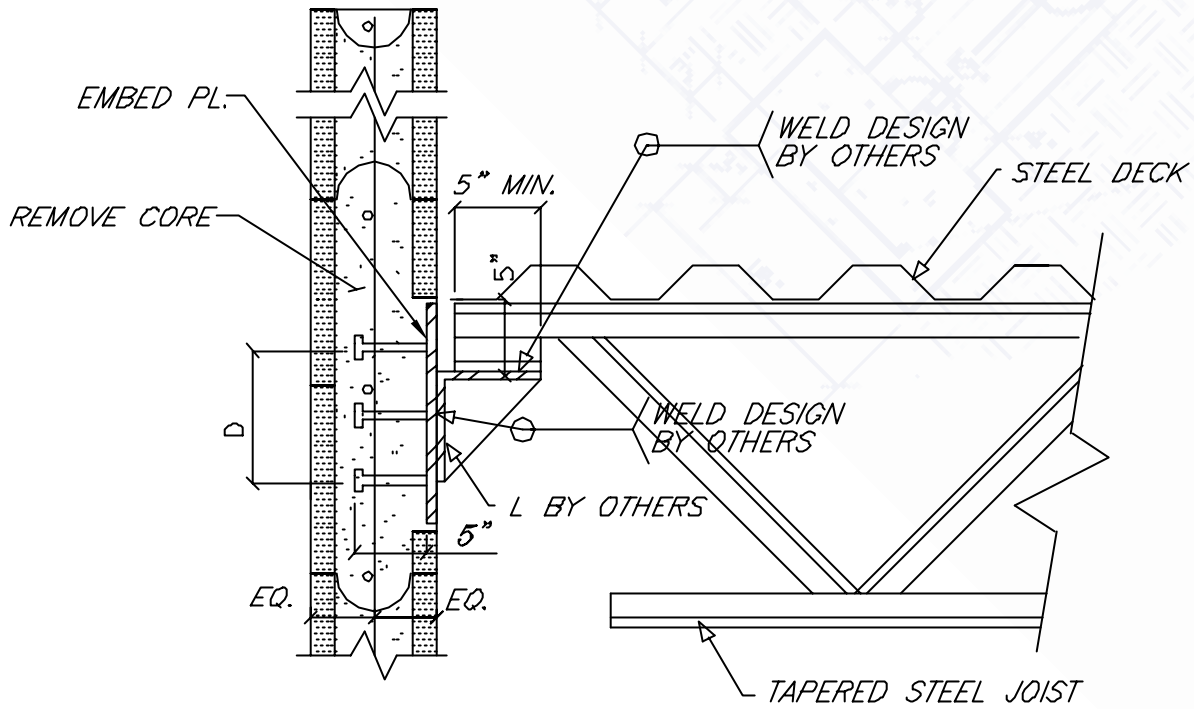
# Steel Truss to Wall Connection



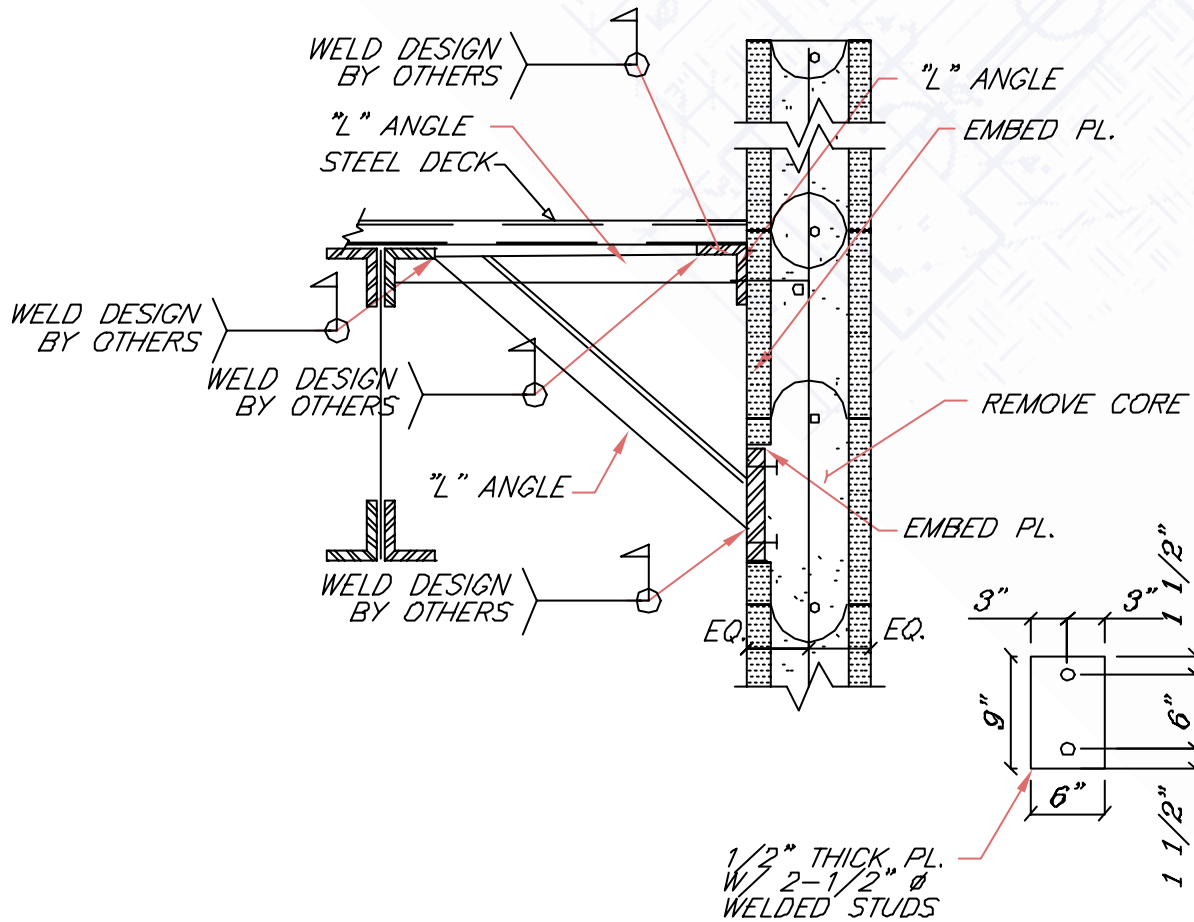
# Steel Bracing/Bridging to Wall



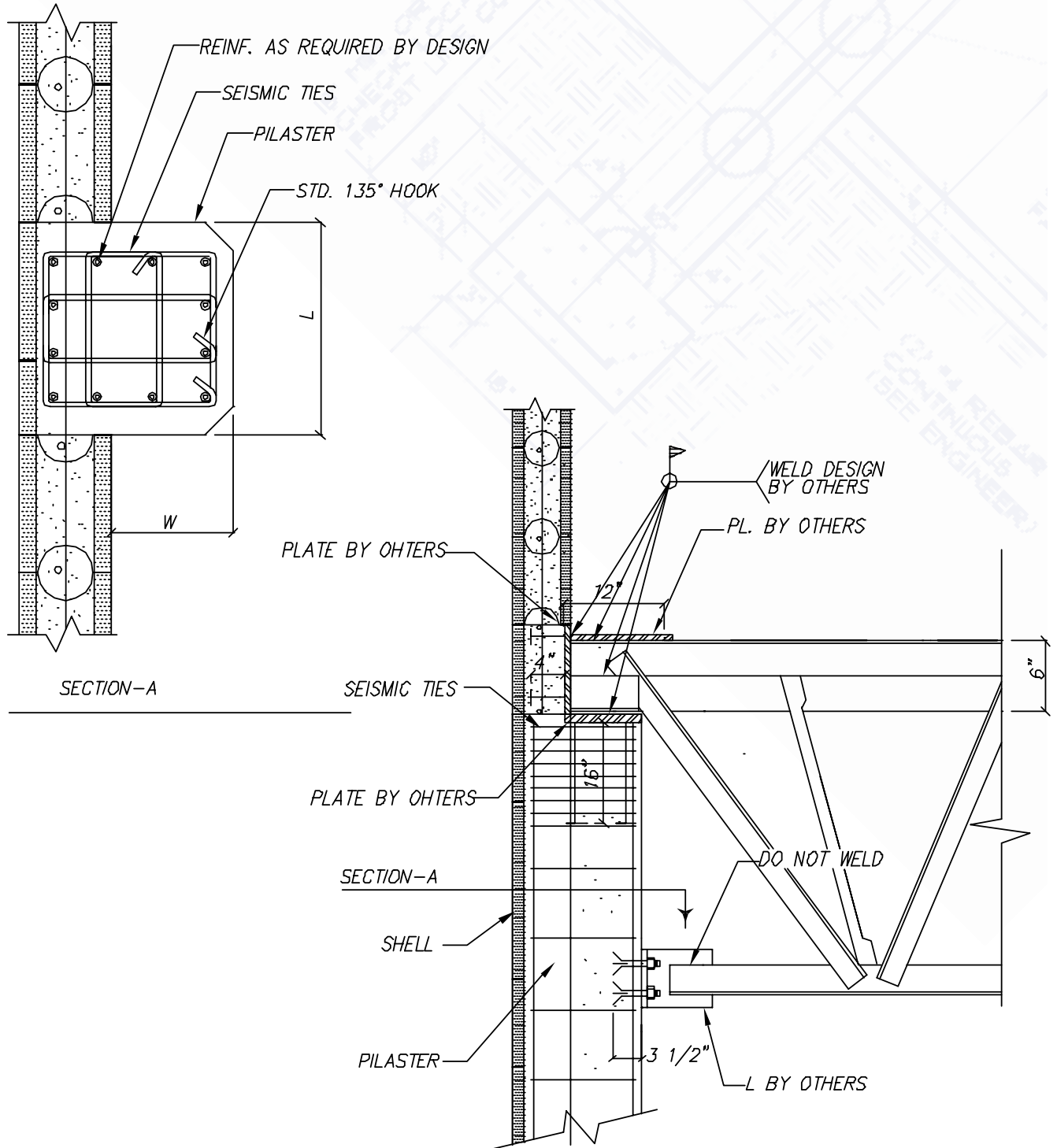
# Steel Joist to Wall



# Steel Bridging to Wall



# Steel Girders to Pilaster



# Typical Steel Joist to Wall Connection

