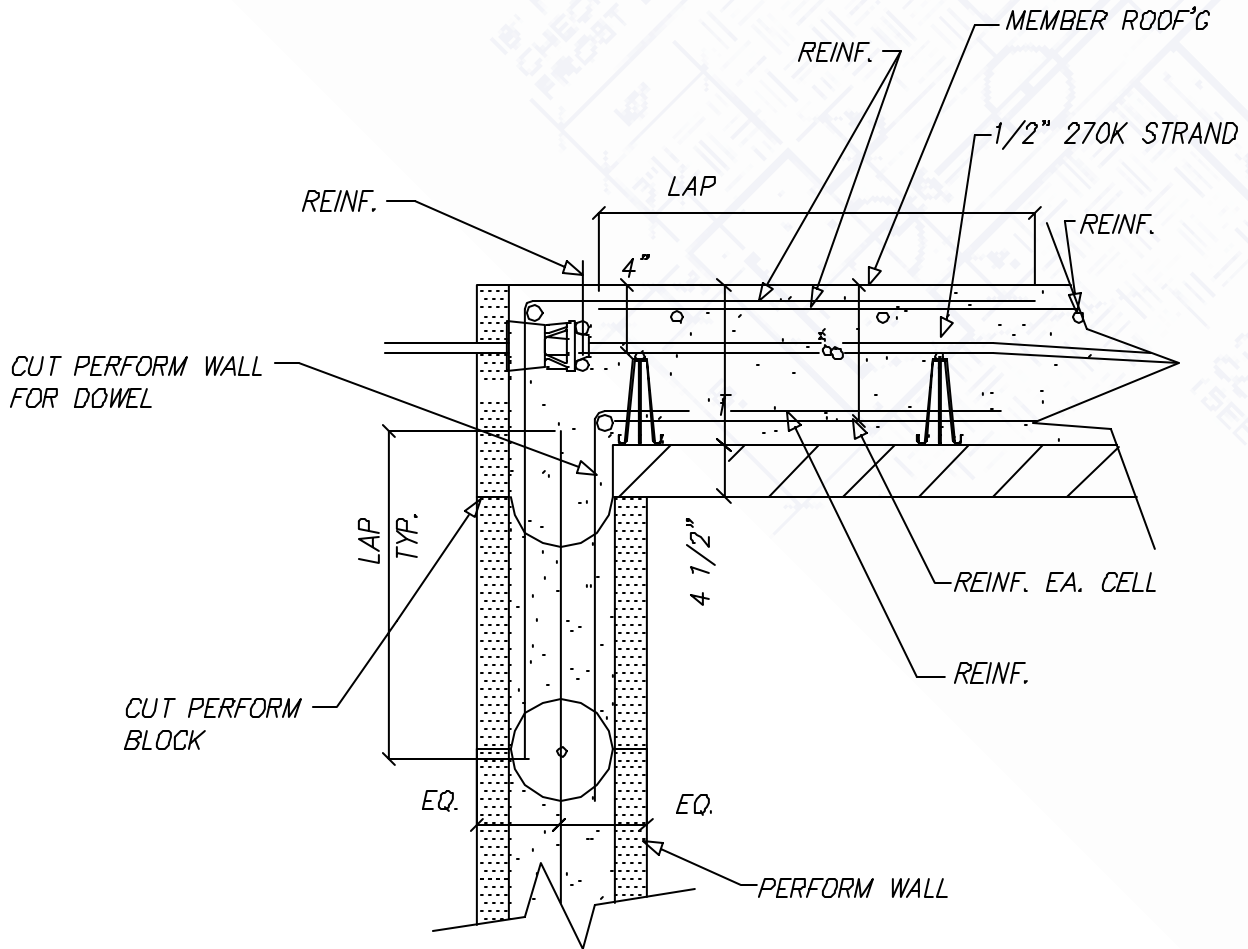
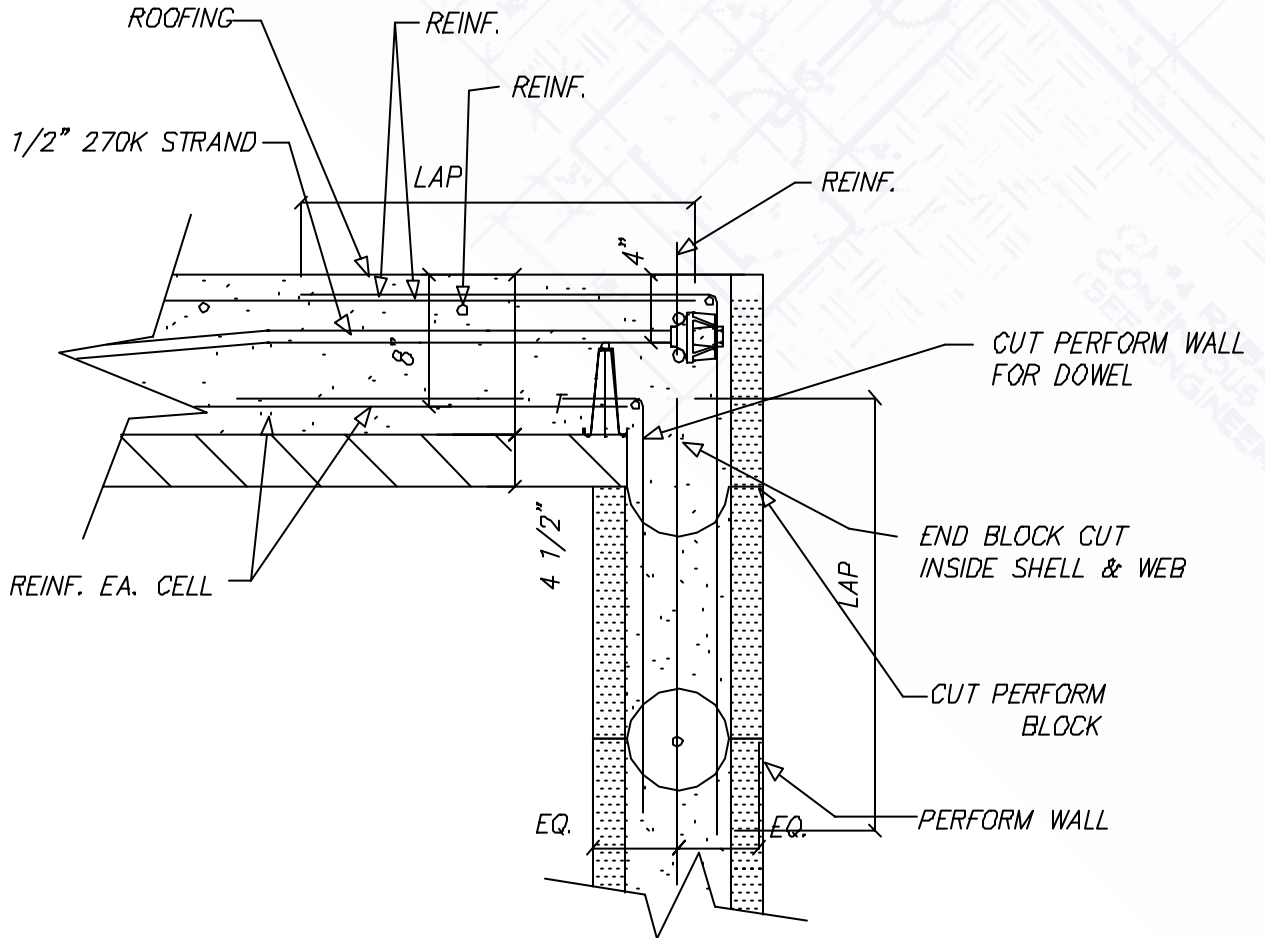


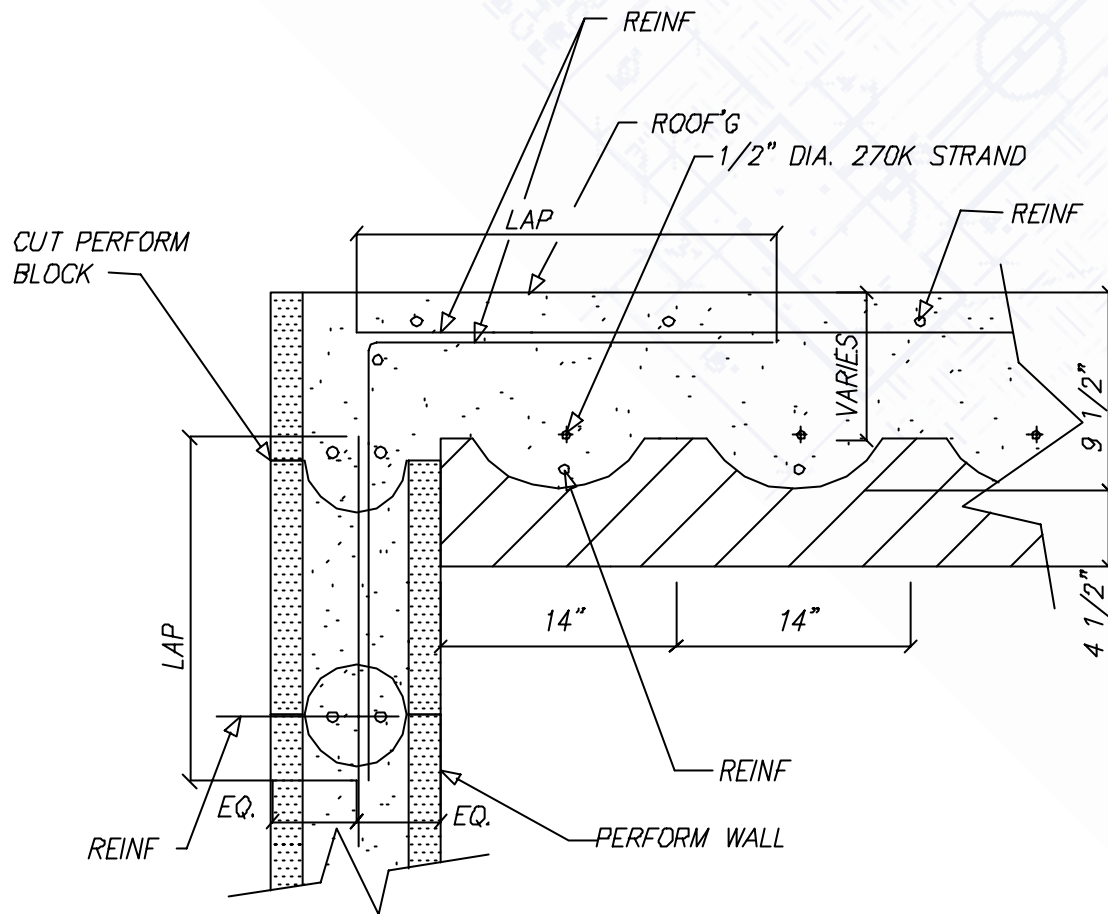
Post Tension Slab to Wall Connection



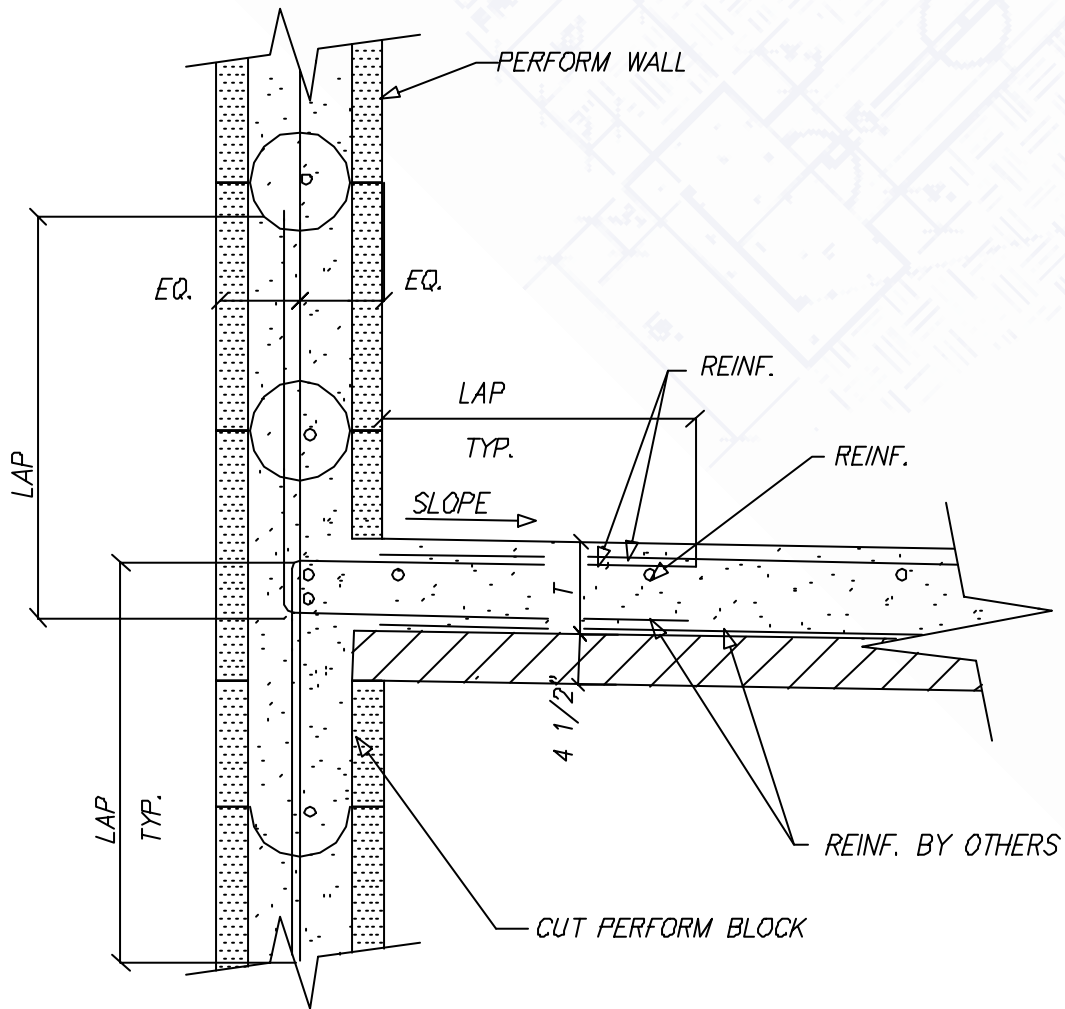
Post Tension Slab to Wall Connection



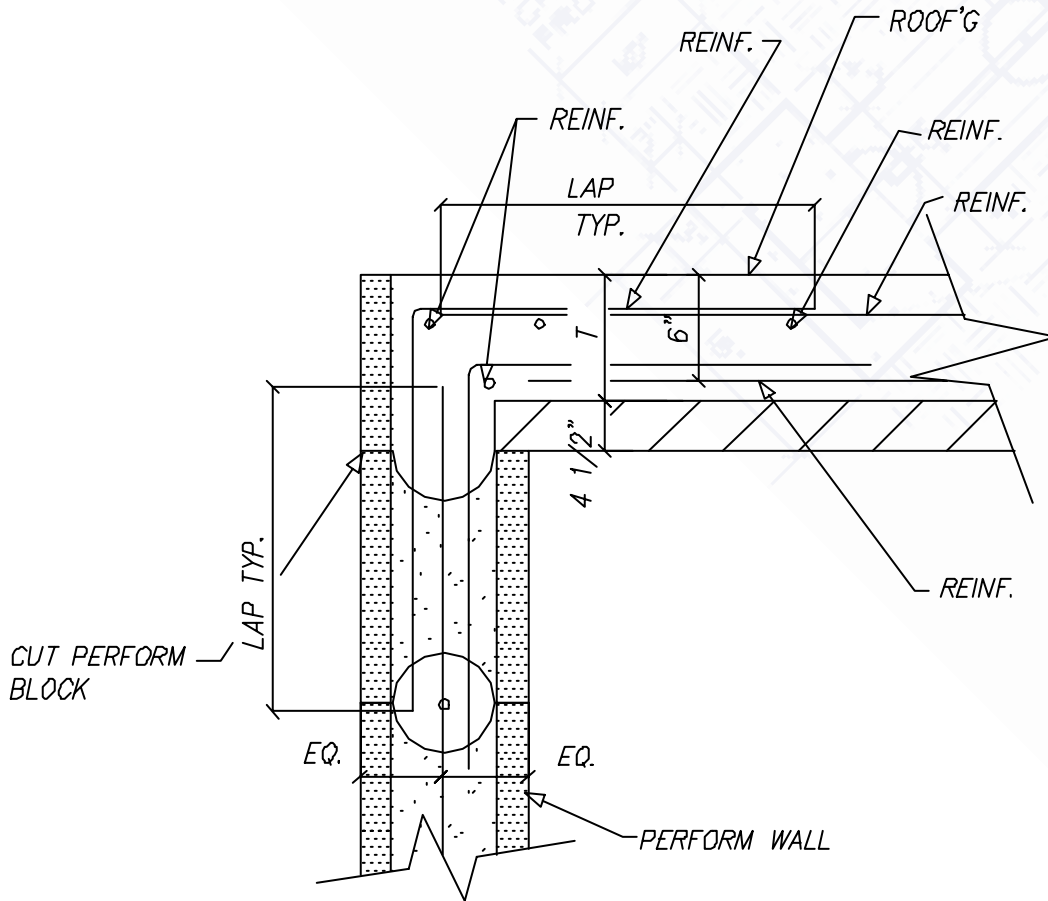
Concrete Slab to Wall Connection



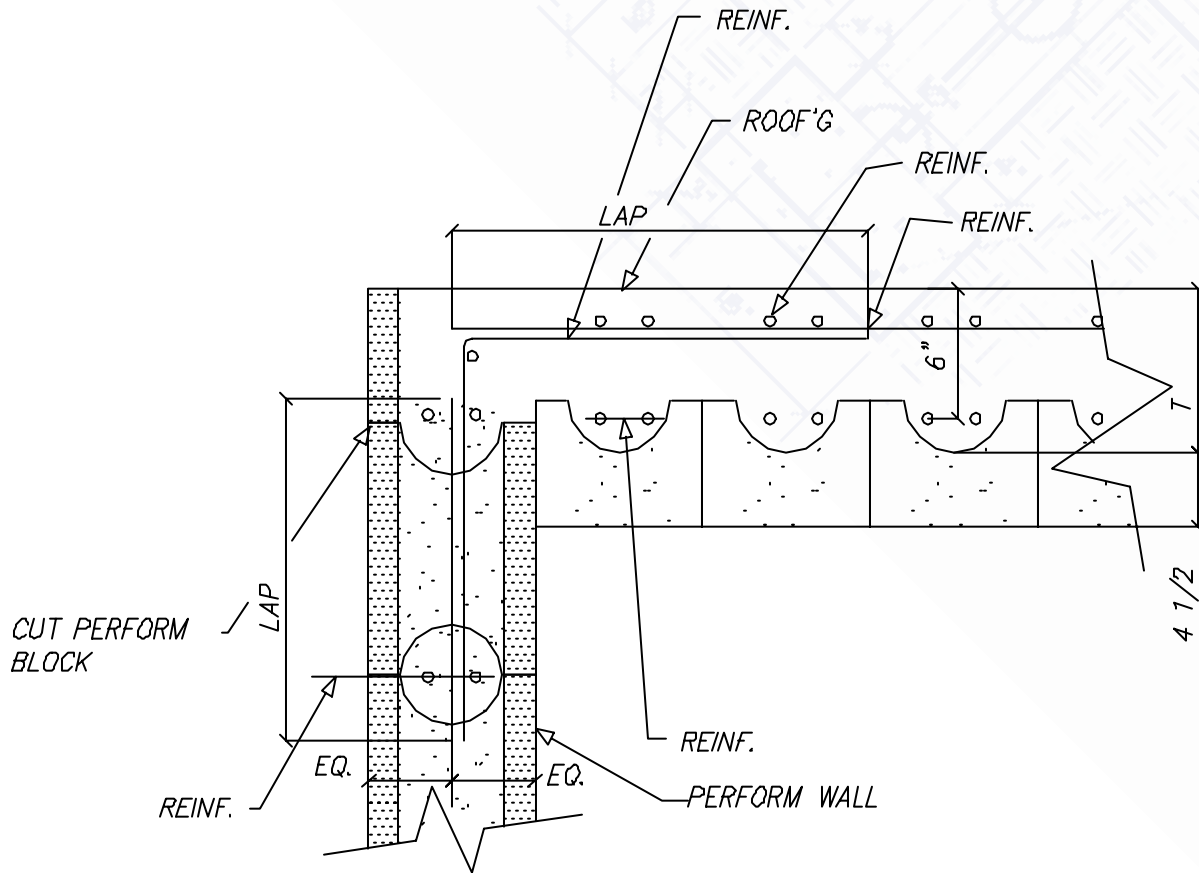
Concrete Slab to Wall Connection



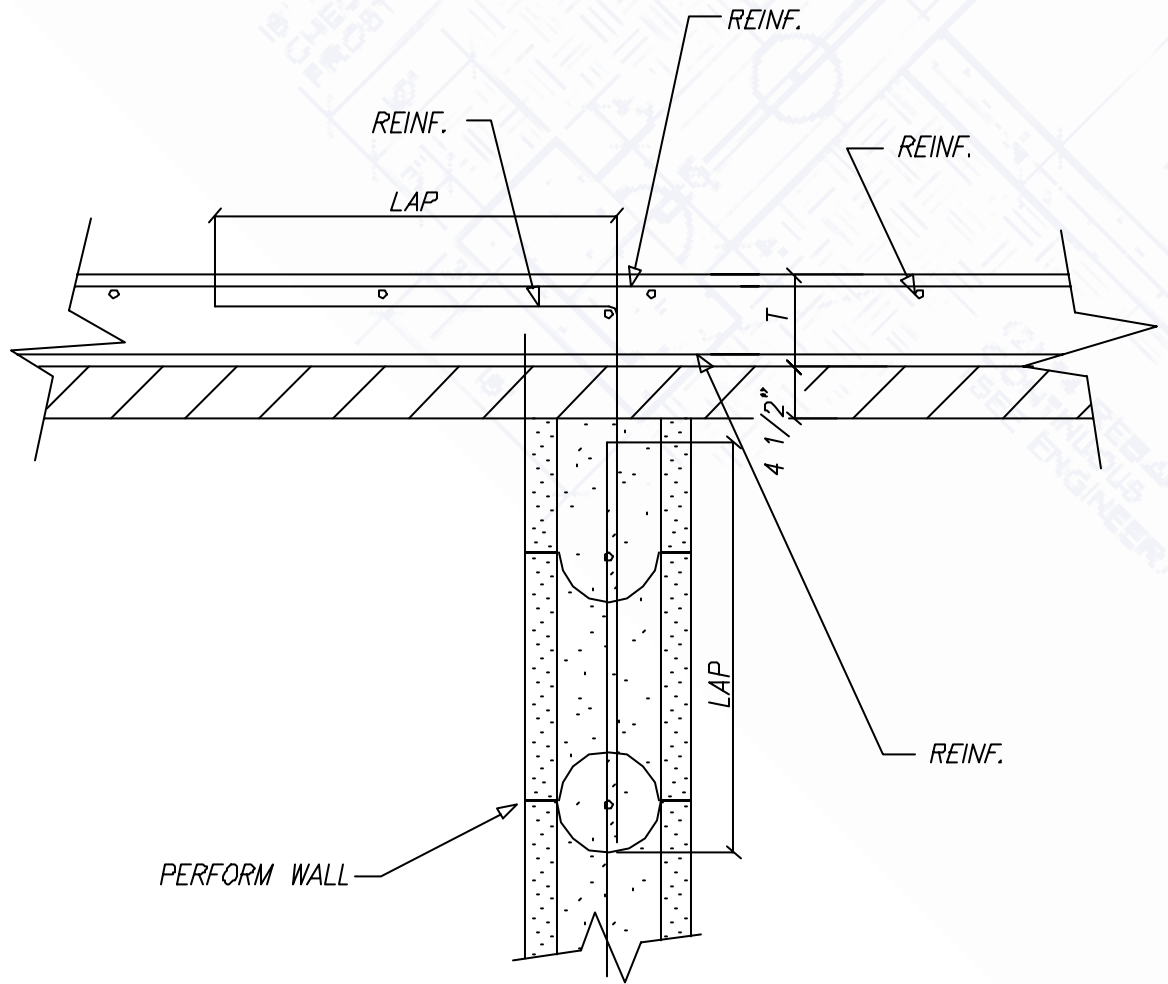
Concrete Slab to Wall Connection



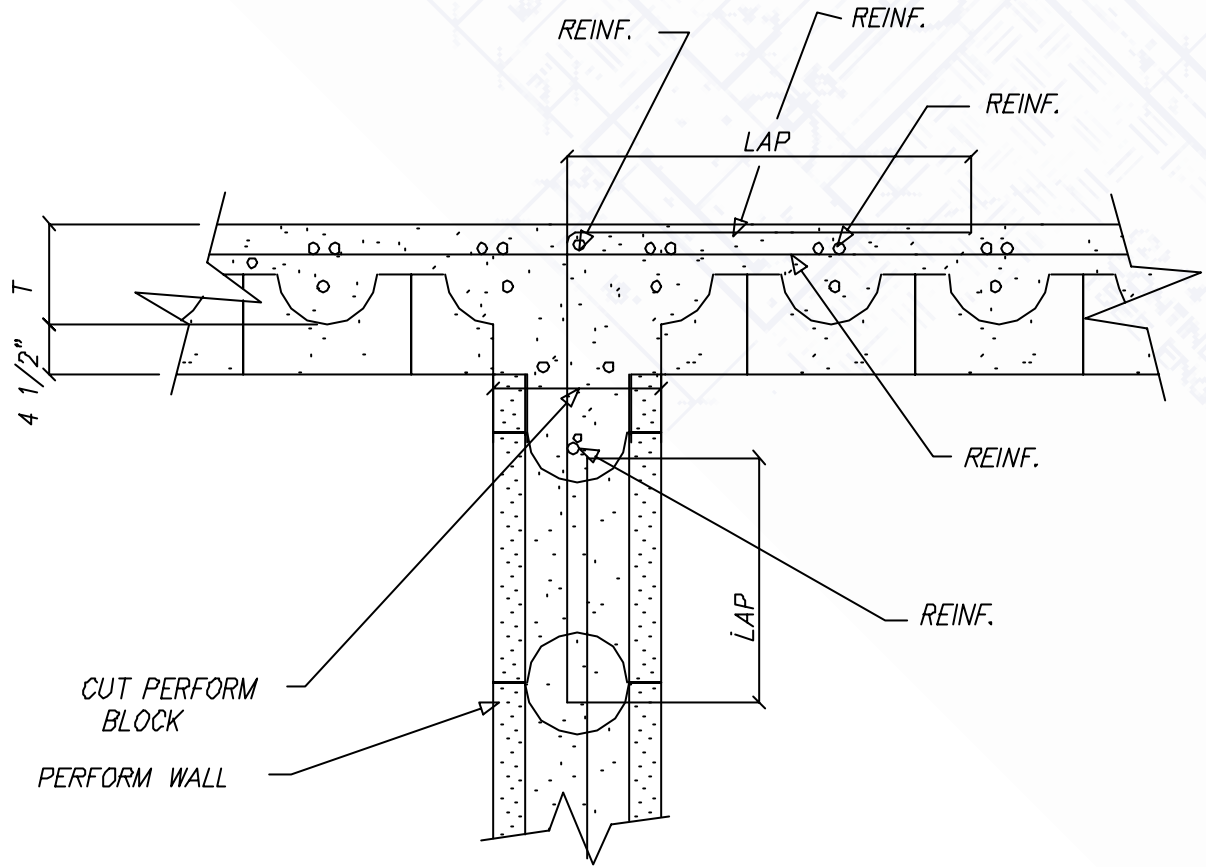
Concrete Slab to Wall Connection



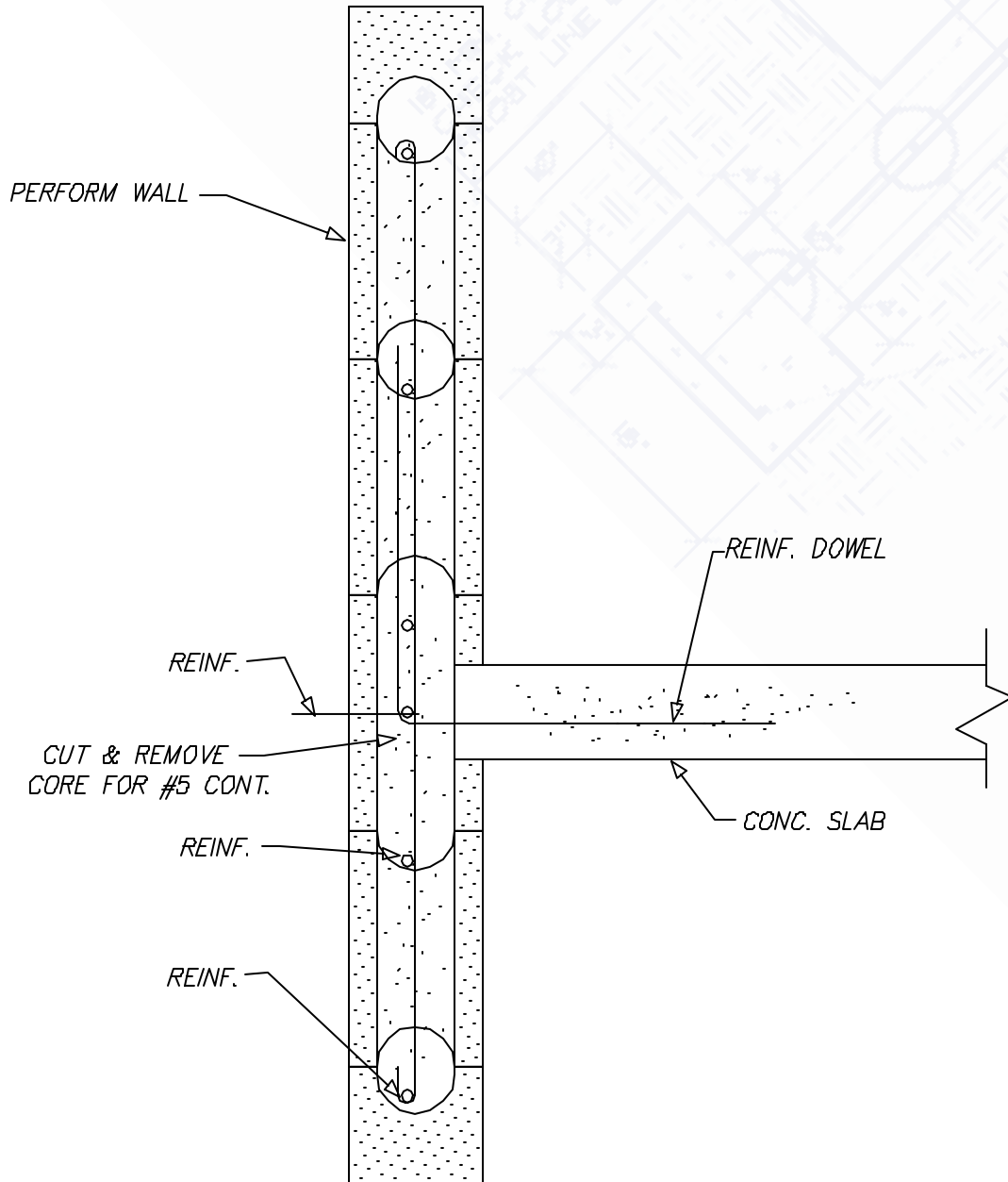
Concrete Slab to Wall Connection



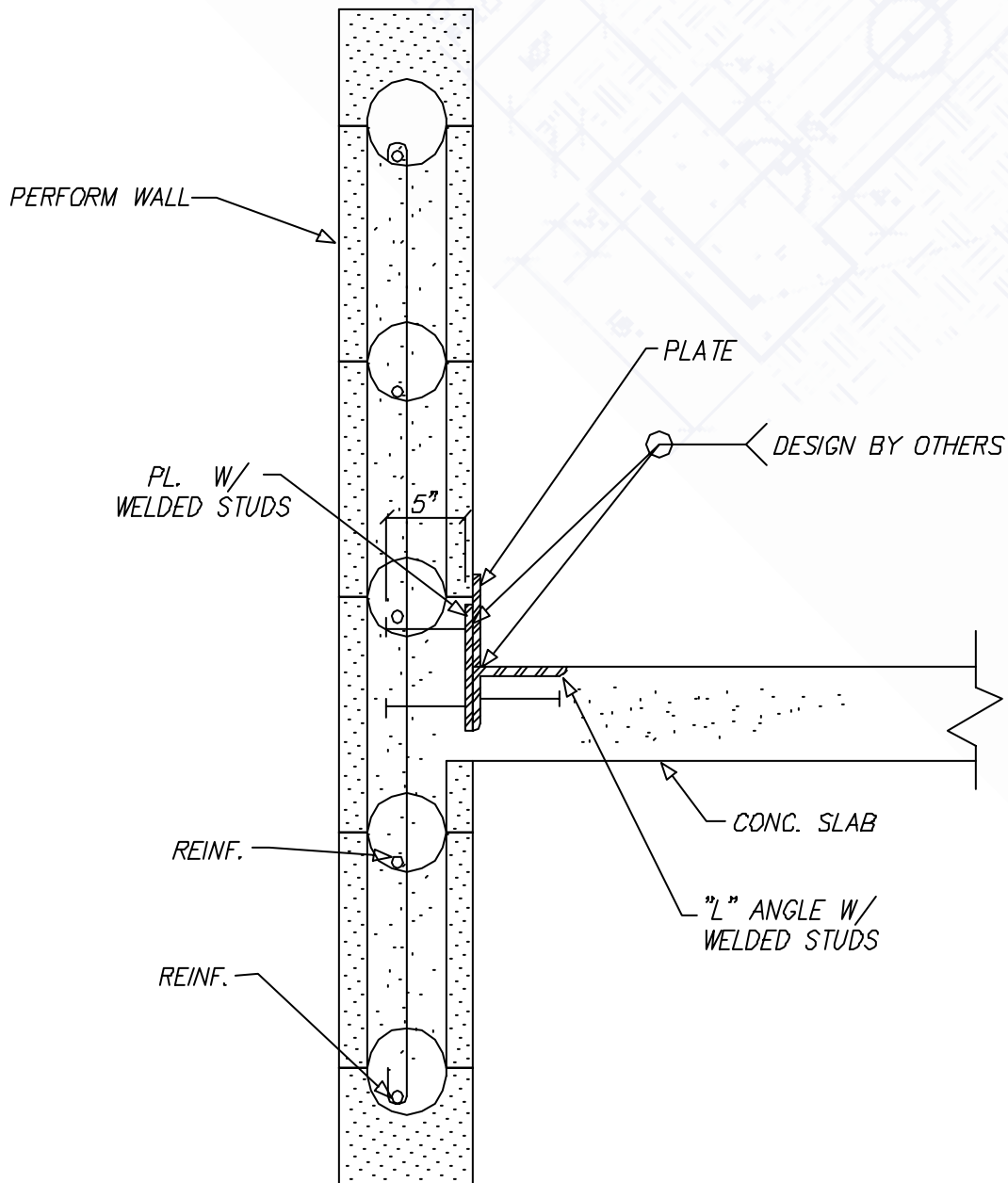
Concrete Slab to Wall Connection



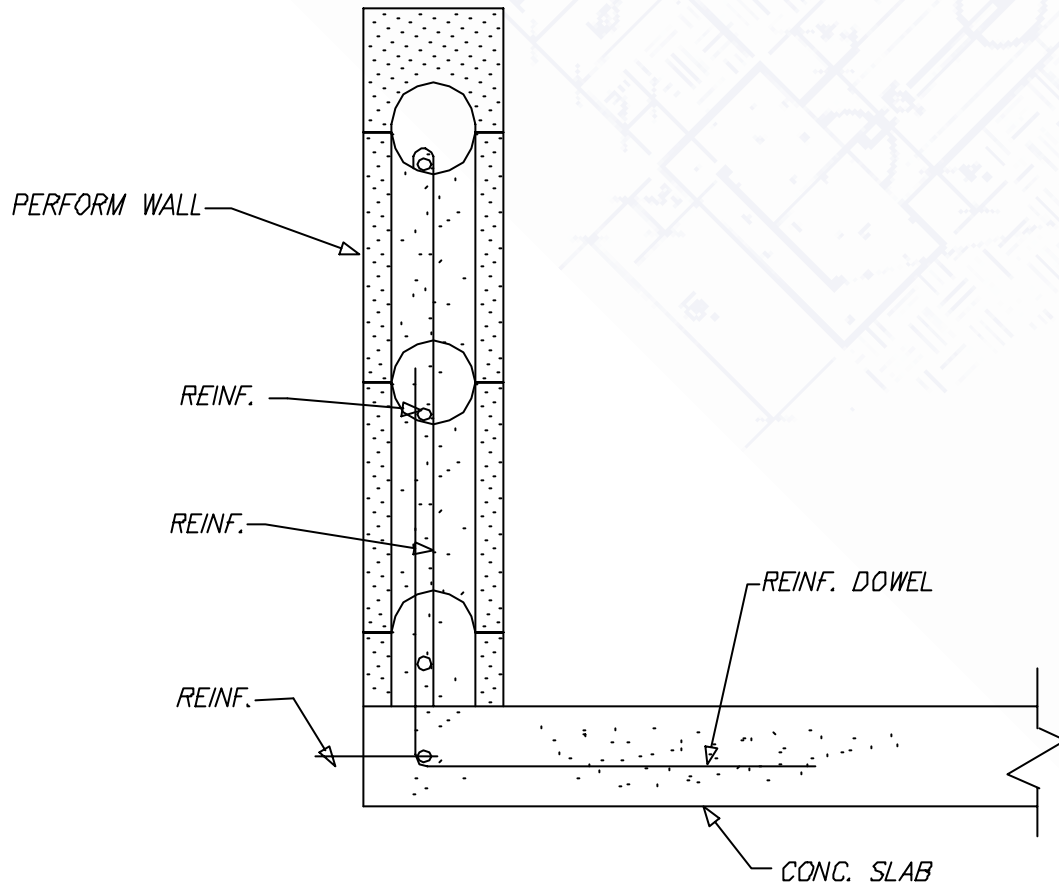
Slab to Spandrel Panel Connection



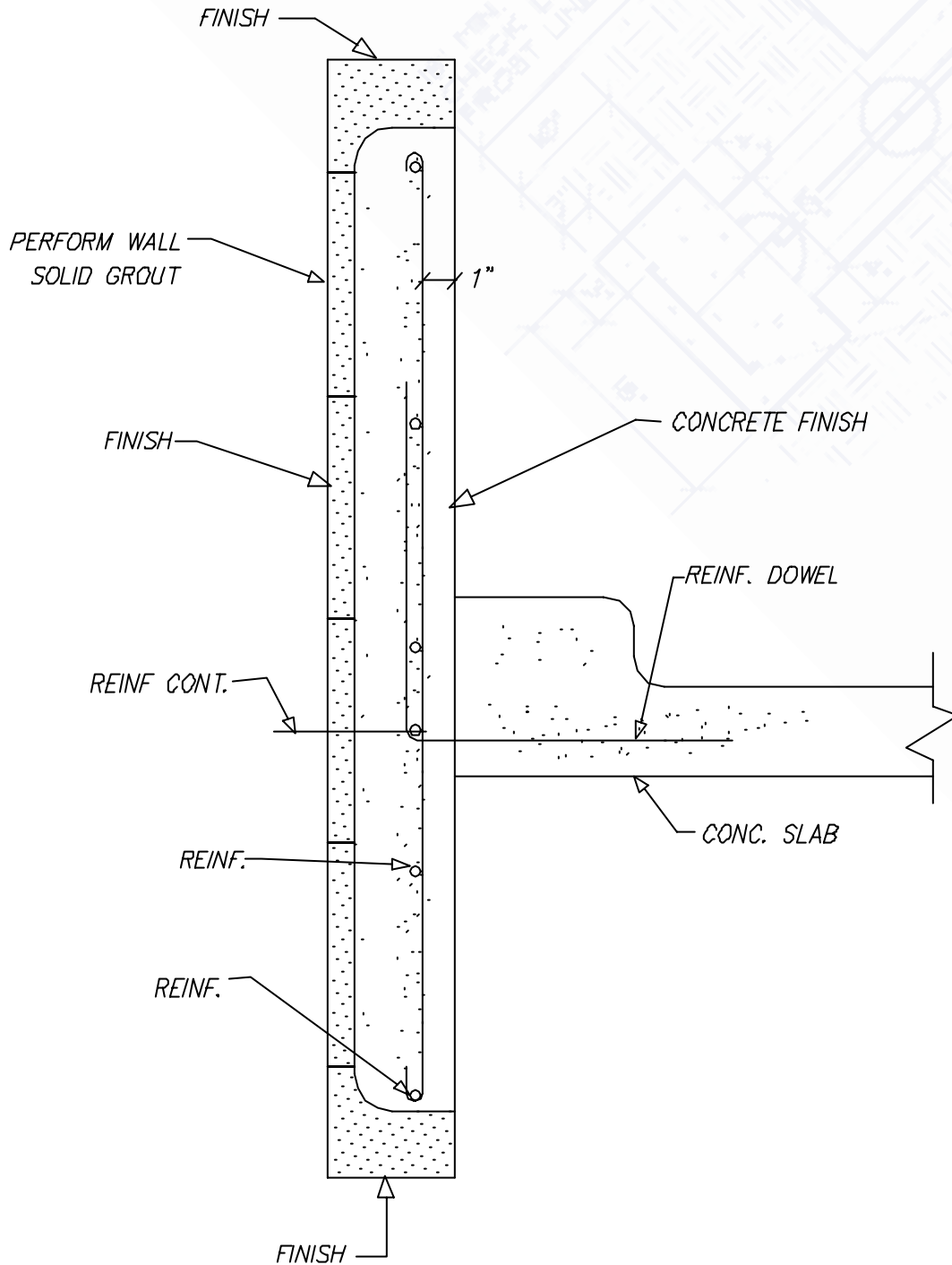
Slab to Spandrel Panel Connection



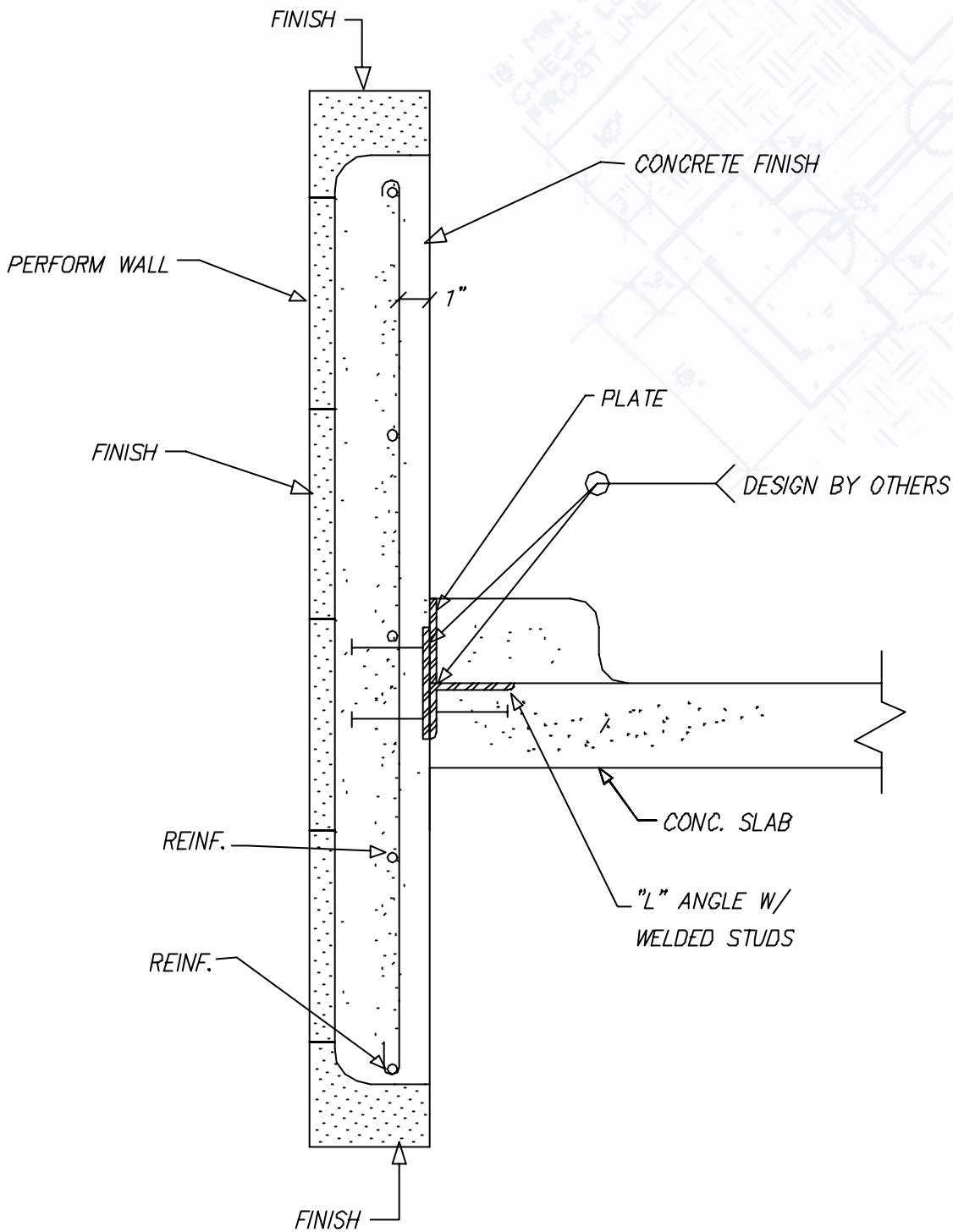
Slab to Spandrel Panel Connection



Slab to Spandrel Panel Connection



Slab to Spandrel Panel Connection



Slab to Spandrel Panel Connection

